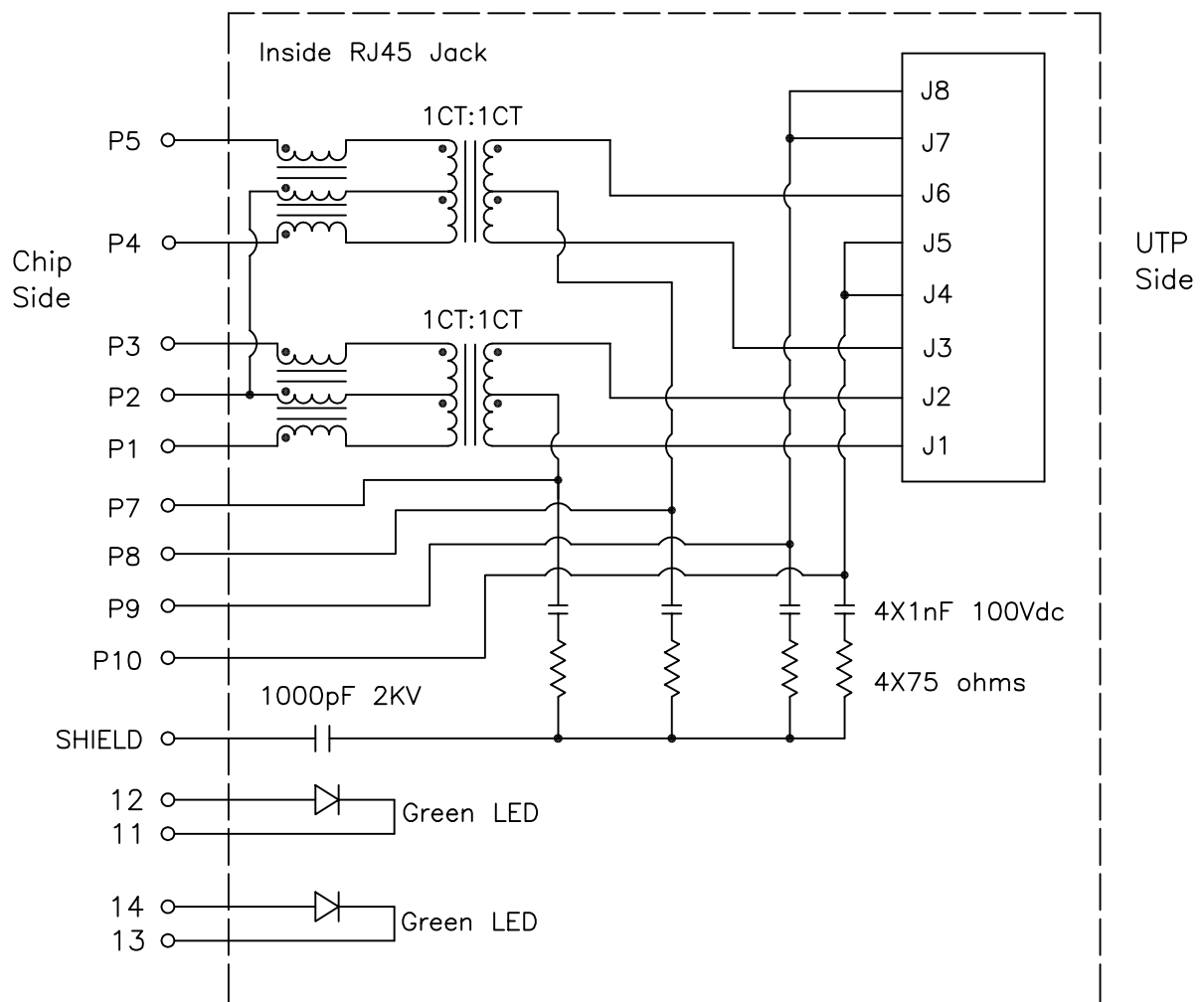


HR971169C

Electrical Specification @25°C

- RoHS Compliant (PB Free)
- Isolation: 1500Vrms (UTP Side to Chip Side)
- OCL: 350uH Minimum @100KHz 100mV with 8mADC
- PIN1-3; PIN4-5 DCR: 1.4 Ohms Maximum
- J1-2; J3-6 DCR: 1.2 Ohms Maximum
- Insertion Loss: -1.5dB Maximum @300KHz ~ 100MHz
- Return Loss: -16dB Minimum @1MHz ~ 30MHz
-10dB Minimum @60MHz ~ 80MHz
- Crosstalk: -30dB Minimum @1MHz ~ 100MHz

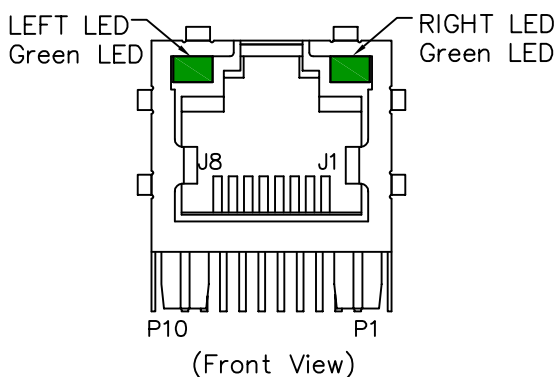
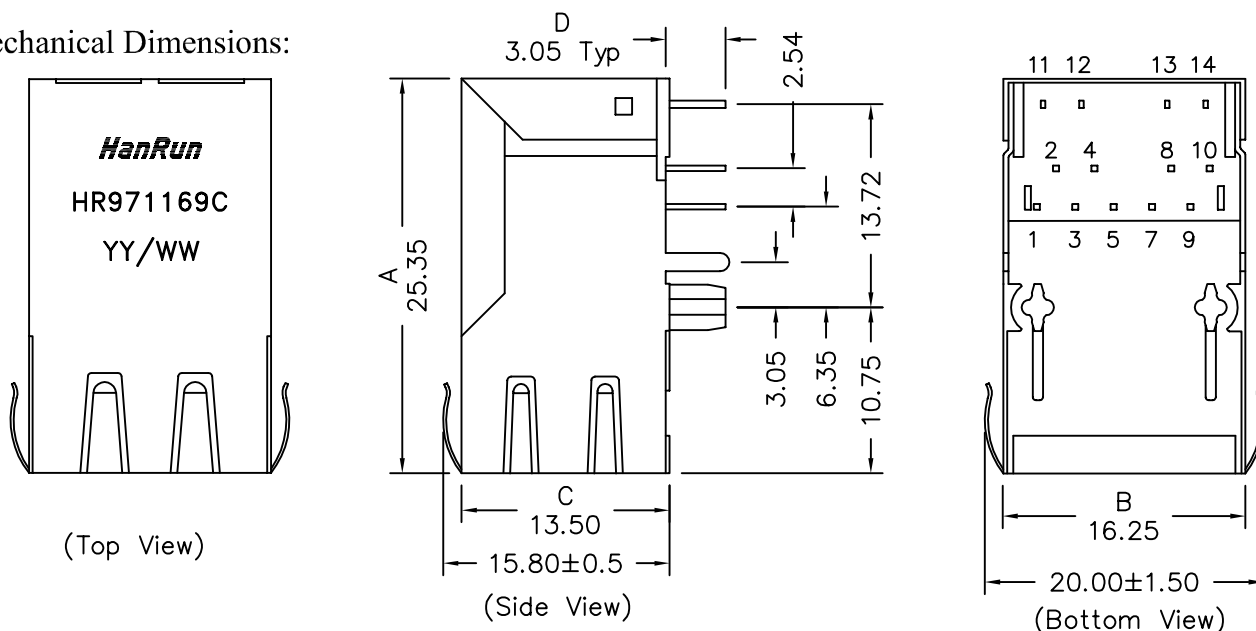
Schematics



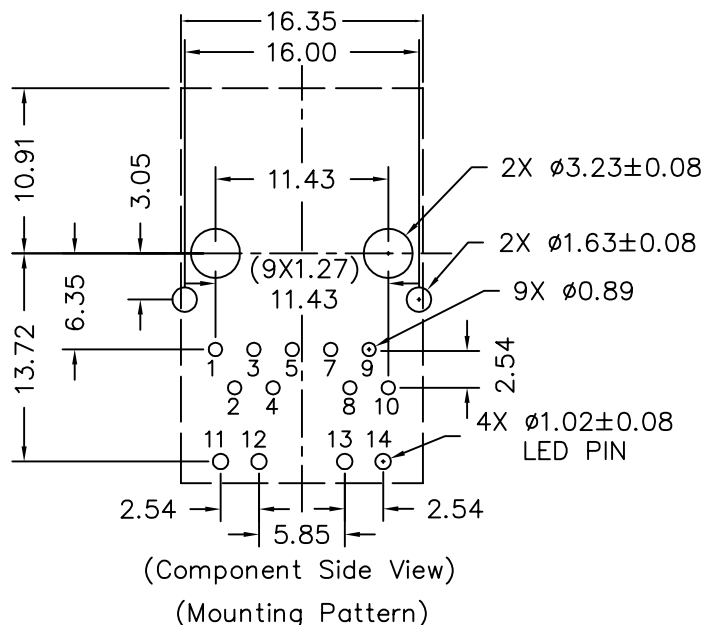
HR971169C

- RoHS Compliant (Pb Free)
- Designed for Network Interface Card Application
- Meets or Exceeds IEEE802.3af standards including 350uH Min OCL with 8mADC
- High performance for EMI suppression, Crosstalk, Return Loss and Consistent Electrical
- Minimum 1500Vrms isolation per IEEE802.3 requirement
- Minimize PCB space and Simplify PCB Layout
- Less magnetic components to place on PCB, Higher reliability and yields

Mechanical Dimensions:



Standard LED	Wavelength	Forward V (Min/Max)	Forward A	Type
Green	568nm	1.8V/2.8V	20mA	squareness



Dimensions in mm

Unless otherwise specified, Tolerance: .xx ±0.25

REV.A/3