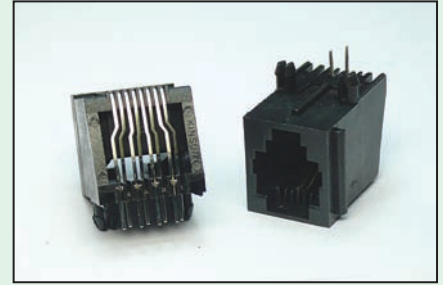
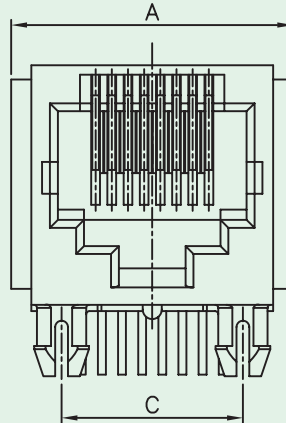
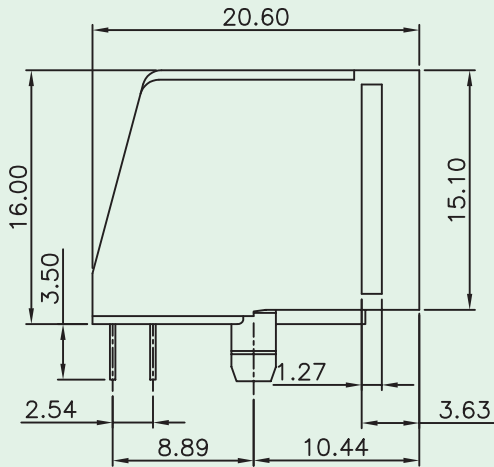


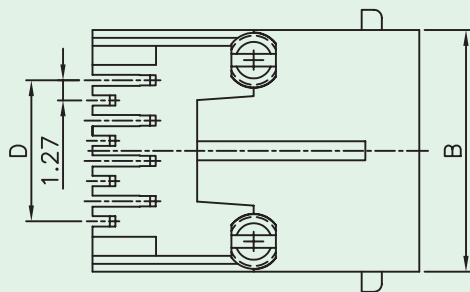


Side Entry PCB Jack

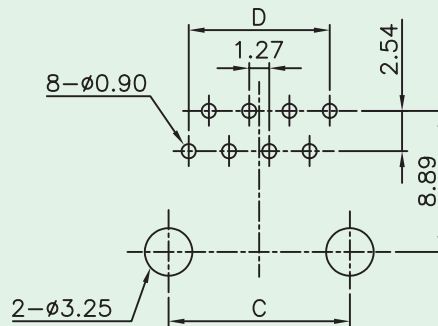
KINSUN



No. of Positions	Dimension			
	A	B	C	D
4	13.72	11.18	7.62	3.81
6	15.75	13.21	10.16	6.35
8	17.78	15.24	11.43	8.89



PCB LAYOUT/TOP VIEW



Materials

- **Plastic Housing** : Engineering Thermoplastic.
Flammability Rating UL 94V-0.
- **Contacts** : Phosphor Bronze.
- **Plating** : Gold Plating Over Nickel In Contact.
Tin Plating Over Nickel In Solder Area.

Ordering Information

