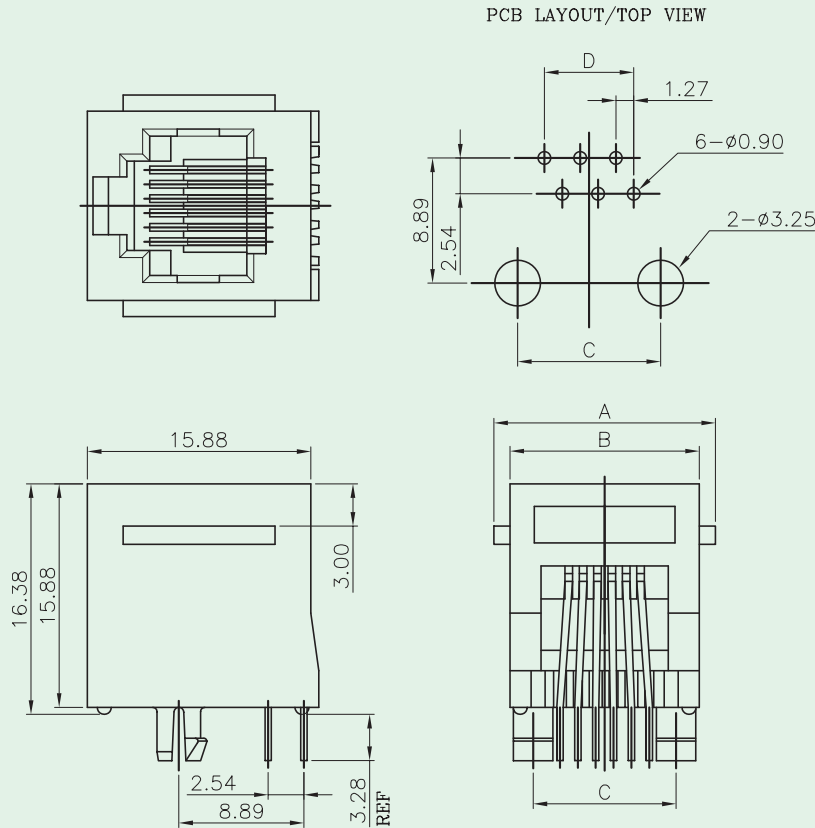
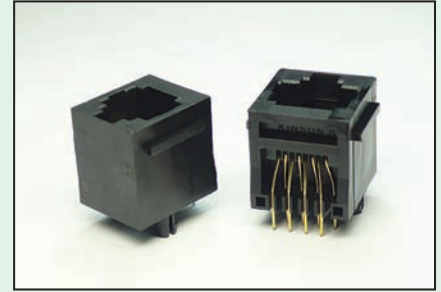




Top Entry PCB Jack

KINSUN



No.of Positions	Dimensions			
	A	B	C	D
4	13.97	11.43	7.62	3.81
6	15.75	13.46	10.16	6.35
8	17.65	15.36	11.43	8.89

Materials

- **Housing** : Engineering Thermoplastic.
Flammability Rating UL 94V-0.
- **Contacts** : 0.46mm Diameter Phosphor Bronze.
- **Plating** : Gold Plating Over Nickel.

Ordering Information

