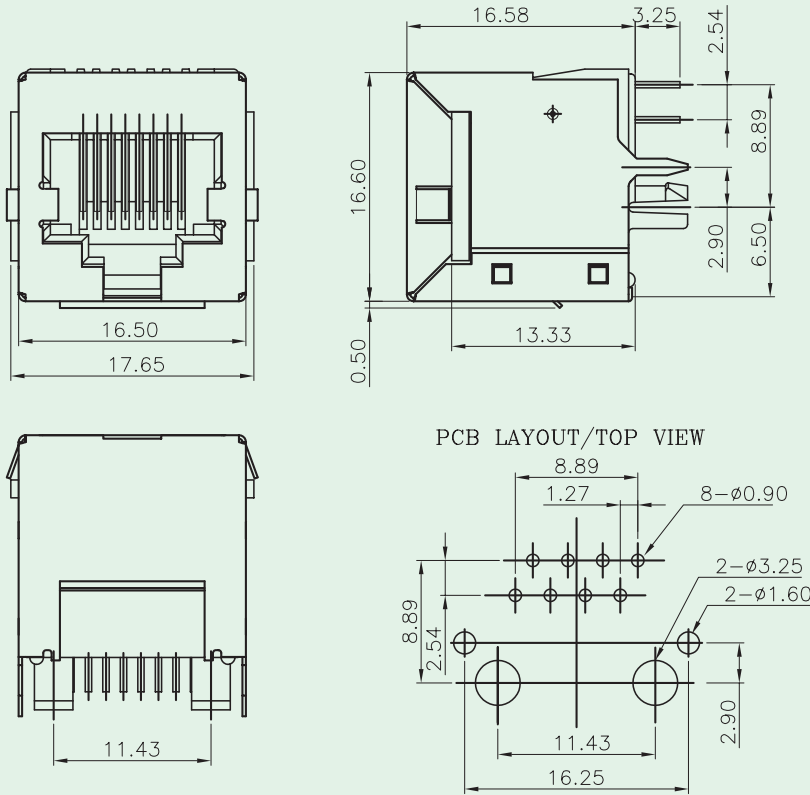
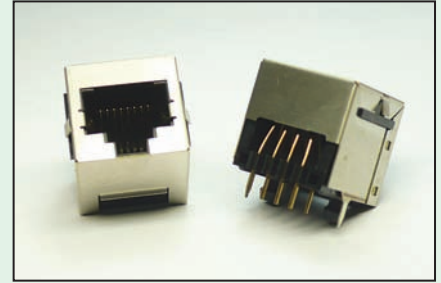




# Top Entry PCB Jack (RJ45, Shielded Type)

KINSUN



## Materials

- **Shield** : Brass With Nickel Plated.
- **Housing** : Engineering Thermoplastic.  
Flammability Rating UL 94V-0.
- **Contacts** : 0.46mm Diameter Phosphor Bronze.
- **Plating** : Gold Plating Over Nickel.

## Ordering Information

