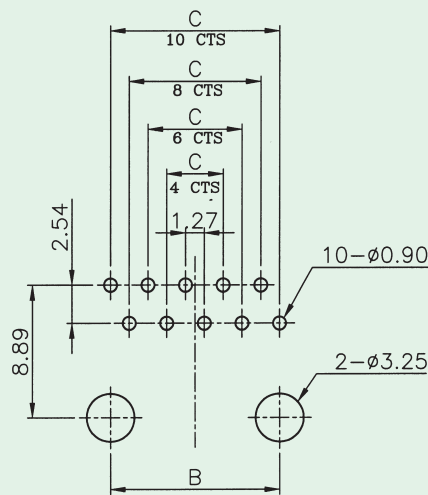
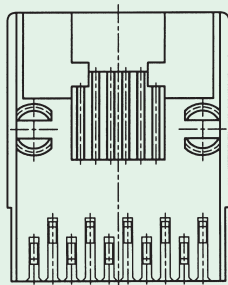
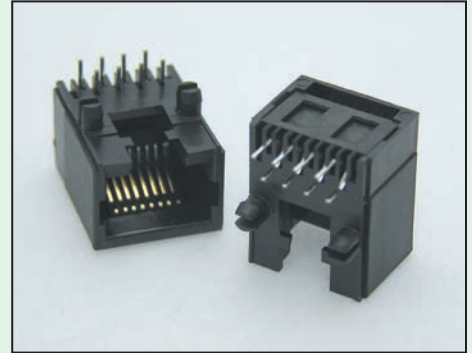
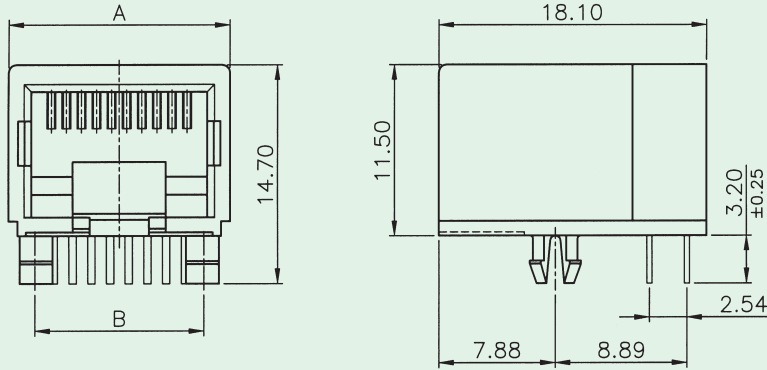




Side Entry PCB Jack (Very Low Profile, Unshielded)

KINSUN



PCB Layout / Top View

No. of Positions	Dimensions		
	A	B	C
4	11.21	7.62	3.81
6	12.96	10.16	6.35
6*	15.00	11.43	6.35
8	15.00	11.43	8.89
10	15.00	11.43	11.43

*Outer dimension is 8P.
Inner dimension is 6P.

Materials

- **Housing** : Engineering Thermoplastic.
Flammability Rating UL 94V-0.
- **Contacts** : Phosphor Bronze.
- **Plating** : Gold Plating Over Nickel In Contact Area.
Tin Plating Over Nickel In Solder Area.

Ordering Information

