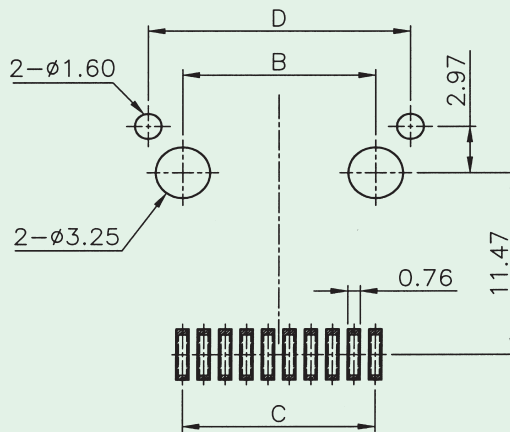
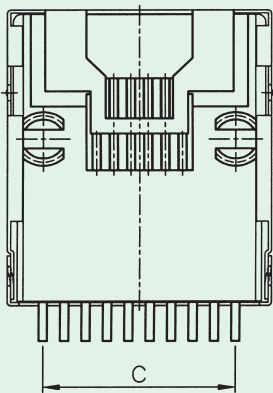
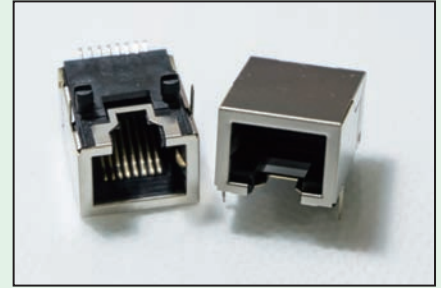
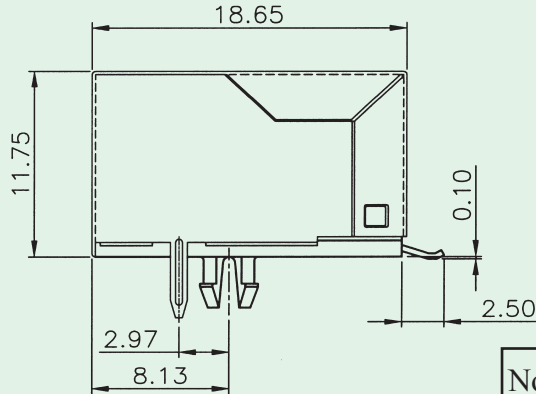
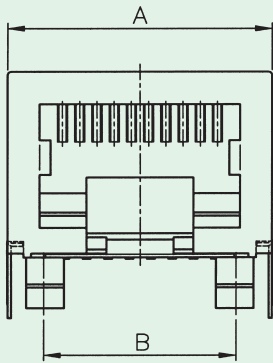




Side Entry PCB Jack (Very Low Profile, SMT Type)

KINSUN



PCB Layout / Top View

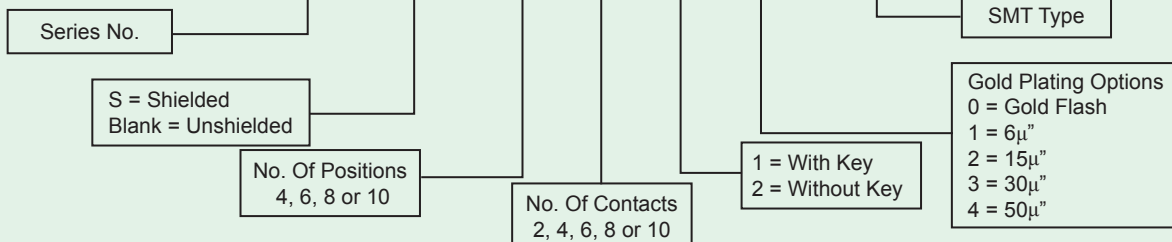
No. of Positions	Dimensions			
	A	B	C	D
6	13.56	10.16	6.35	13.57
8	15.74	11.43	8.89	15.54
10	15.74	11.43	11.43	15.54

Materials

- **Shield** : Brass With Nickel Plated.
- **Housing** : High Temp. Thermoplastic.
Flammability Rating UL 94V-0.
- **Contacts** : Phosphor Bronze.
- **Plating** : Gold Plating Over Nickel In Contact Area.
Tin Plating Over Nickel In Solder Area.

Ordering Information

3004 S - [] [] [] [] SMT



- Options: (1) With or Without Different Grounding Tabs.
 (2) More Grounding Pin Spacings.
 (3) 4P4C Is Available But Without Shield.