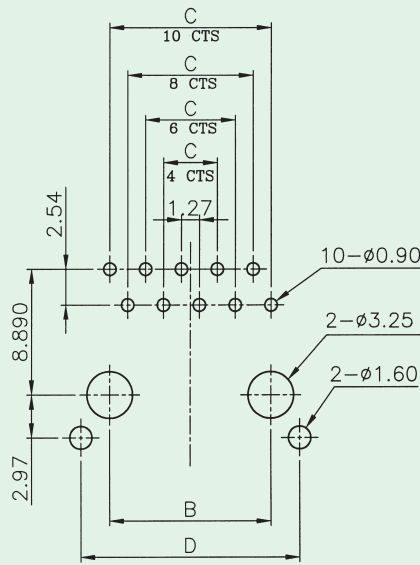
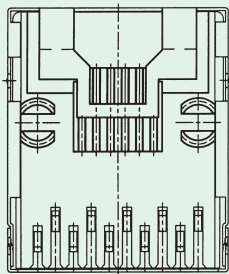
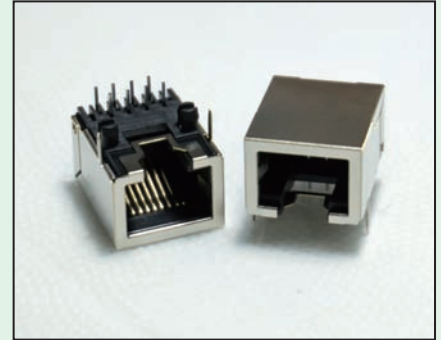
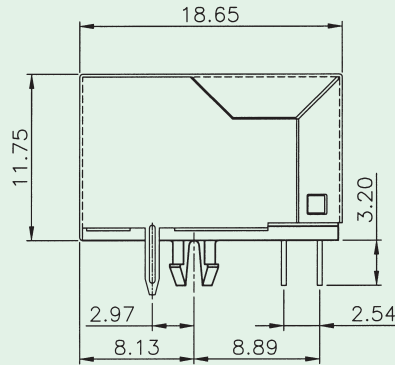
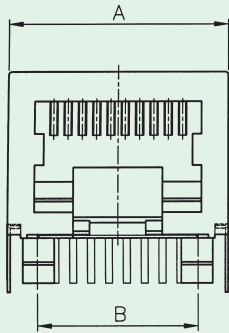




# Side Entry PCB Jack (Very Low Profile, Fully Shielded)

**KINSUN**



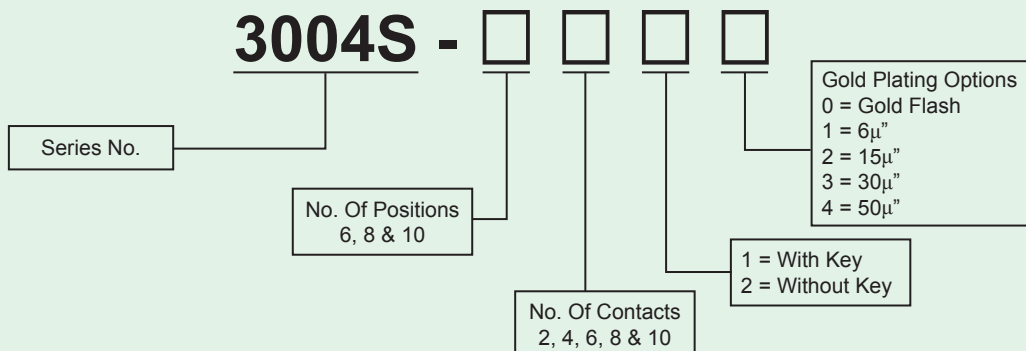
PCB Layout / Top View

No. of Positions	Dimensions			
	A	B	C	D
6	13.56	10.16	6.35	13.57
8	15.74	11.43	8.89	15.54
10	15.74	11.43	11.43	15.54

## Materials

- **Shield** : Brass With Nickel Plated.
- **Housing** : Engineering Thermoplastic.  
Flammability Rating UL 94V-0.
- **Contacts** : Phosphor Bronze.
- **Plating** : Gold Plating Over Nickel In Contact Area.  
Tin Plating Over Nickel In Solder Area.

## Ordering Information



Options:(1)With or Without Different Grounding Tabs.  
(2)More Grounding Pin Spacings.