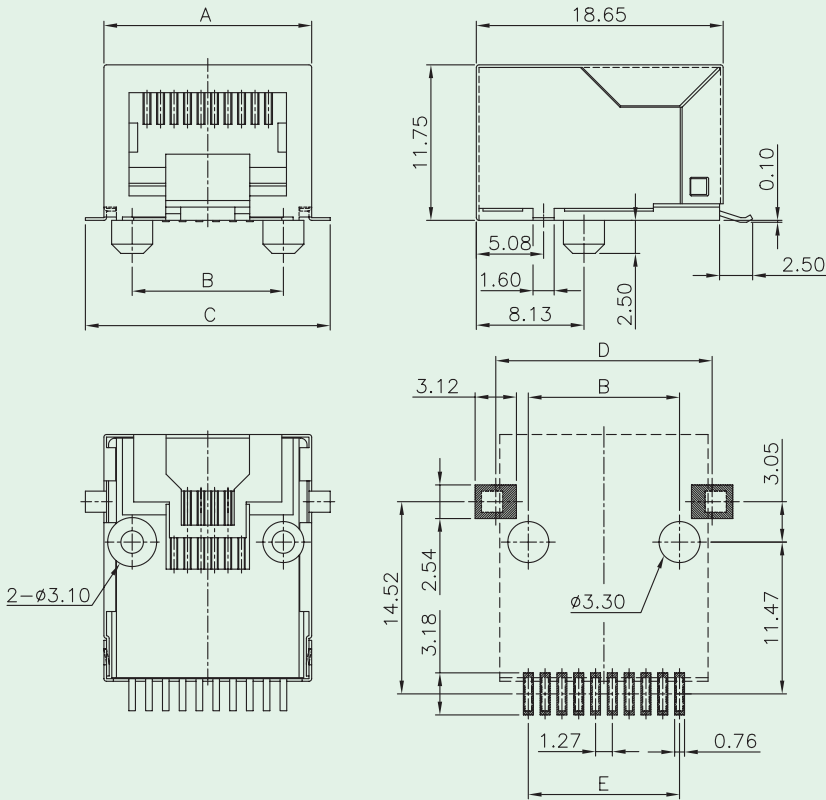
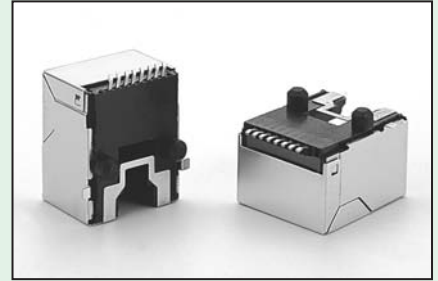




Side Entry PCB Jack (Round Peg , STP With Solder Pad)

KINSUN



No. of Positions	Dimensions				
	A	B	C	D	E
6	13.56	10.16	16.36	13.81	6.35
8	15.74	11.43	18.20	16.35	8.89
10	15.74	11.43	18.20	16.35	11.43

Materials

- **Shield** : Brass With Nickel Plated.
- **Housing** : High Temp. Thermoplastic.
Flammability Rating UL 94V-0.
- **Contacts** : Phosphor Bronze.
- **Plating** : Gold Plating Over Nickel In Contact Area.
Tin Plating Over Nickel In Solder Area.

Ordering Information

