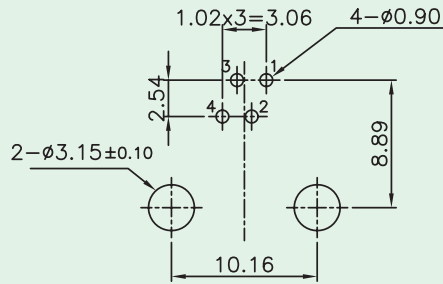
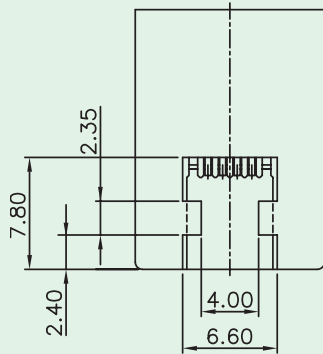


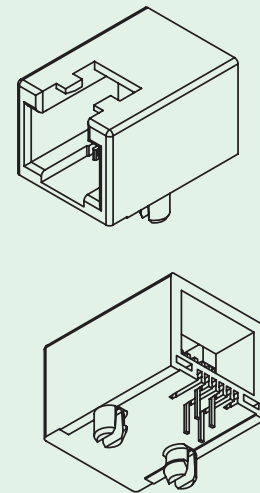
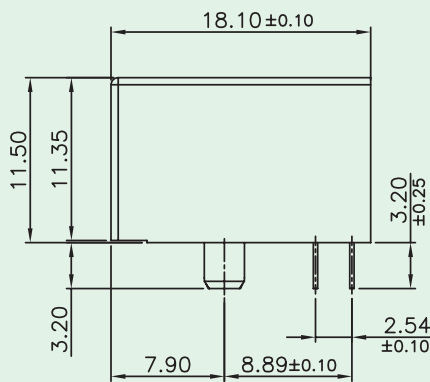
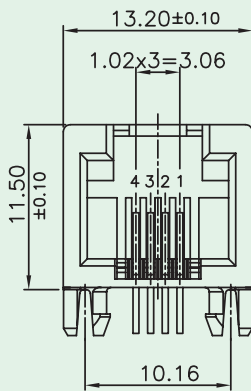
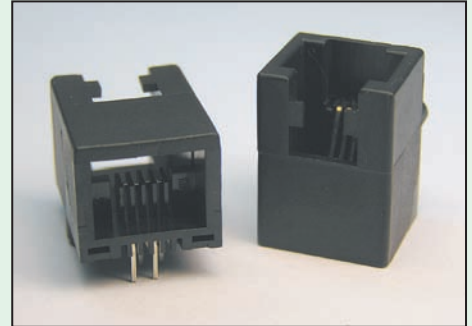


3005 Side Entry PCB Jack (RJ11, Unshielded)

KINSUN



PCB LAYOUT/TOP VIEW



Materials

- **Plastic Housing** : Engineering Thermoplastic.
Flammability Rating UL 94V-0.
- **Contacts** : Phosphor Bronze.
- **Plating** : Gold Plating Over Nickel In Contact.
Tin Plating Over Nickel In Solder Area.

Ordering Information

