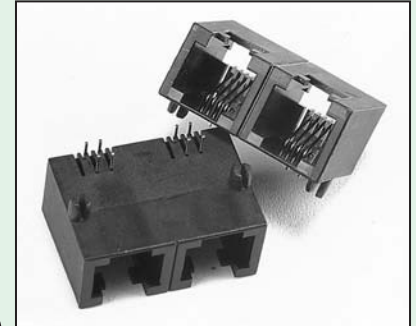
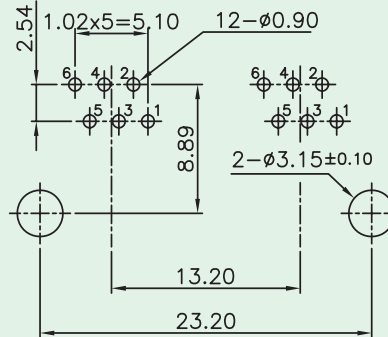
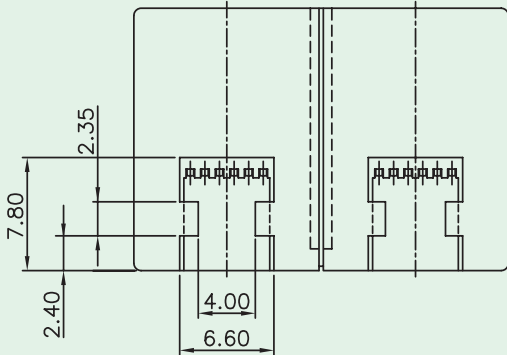


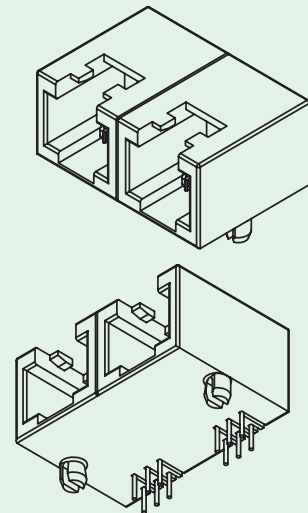
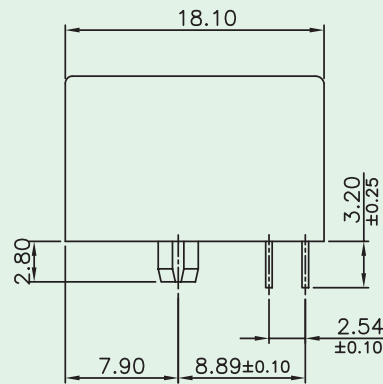
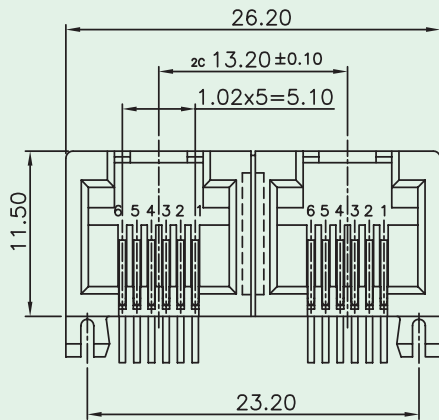


# 3005 Side Entry PCB Jack (Dual-Prot, RJ11, Unshielded)

**KINSUN**



PCB LAYOUT/TOP VIEW



## Materials

- **Plastic Housing** : Engineering Thermoplastic.  
Flammability Rating UL 94V-0.
- **Contacts** : 0.46mm Diameter Phosphor Bronze.
- **Plating** : Gold Plating Over Nickel.

## Ordering Information

