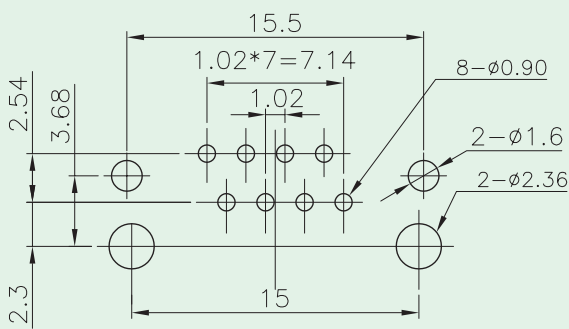
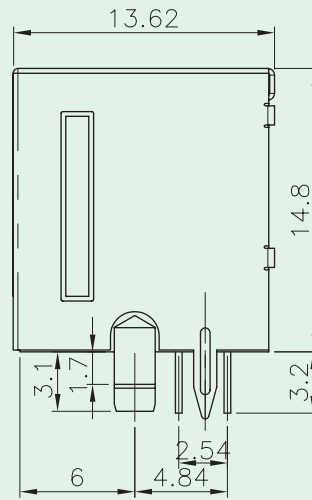
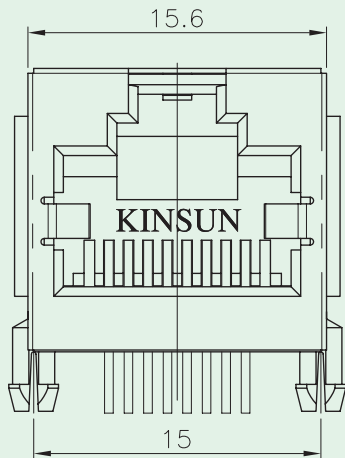
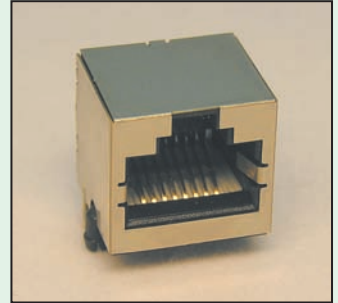




Side Entry PCB Jack (Shielded Type, Up Latch)

KINSUN



PCB LAYOUT/TOP VIEW

Materials

- **Housing** : Engineering Thermoplastic.
Flammability Rating UL 94V-0.
- **Contacts** : Phosphor Bronze.
- **Plating** : Gold Plating Over Nickel In Contact.
Tin Plating Over Nickel In Solder Area.

Ordering Information

