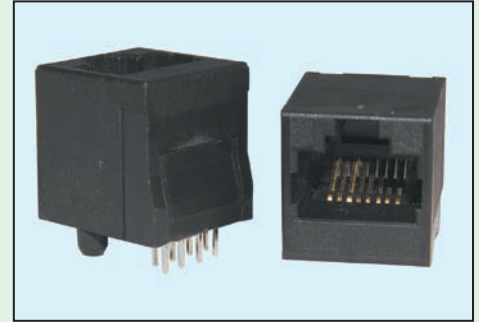
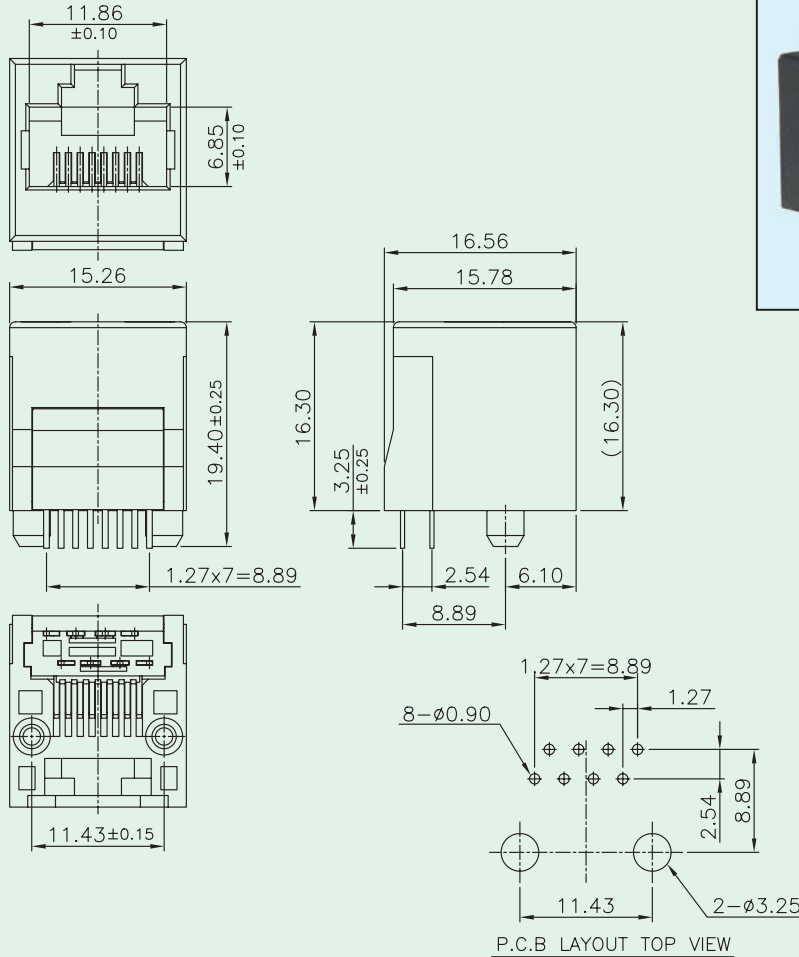




# Top Entry PCB Jack (CAT.5e, Shielded Type)

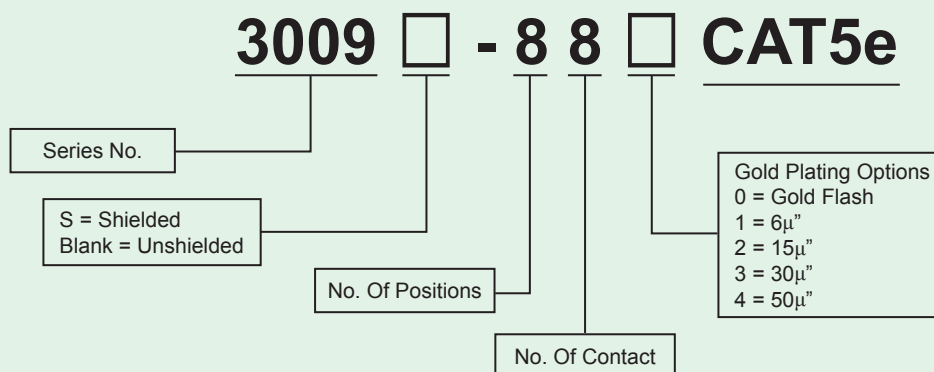
KINSUN



## Materials

- **Housing** : Engineering Thermoplastic.  
Flammability Rating UL 94V-0.
- **Contacts** : Phosphor Bronze.
- **Plating** : Gold Plating Over Nickel In Contact Area.  
Tin Plating Over Nickel In Solder Area.

## Ordering Information



Option : More Grounding Pin Spacings.