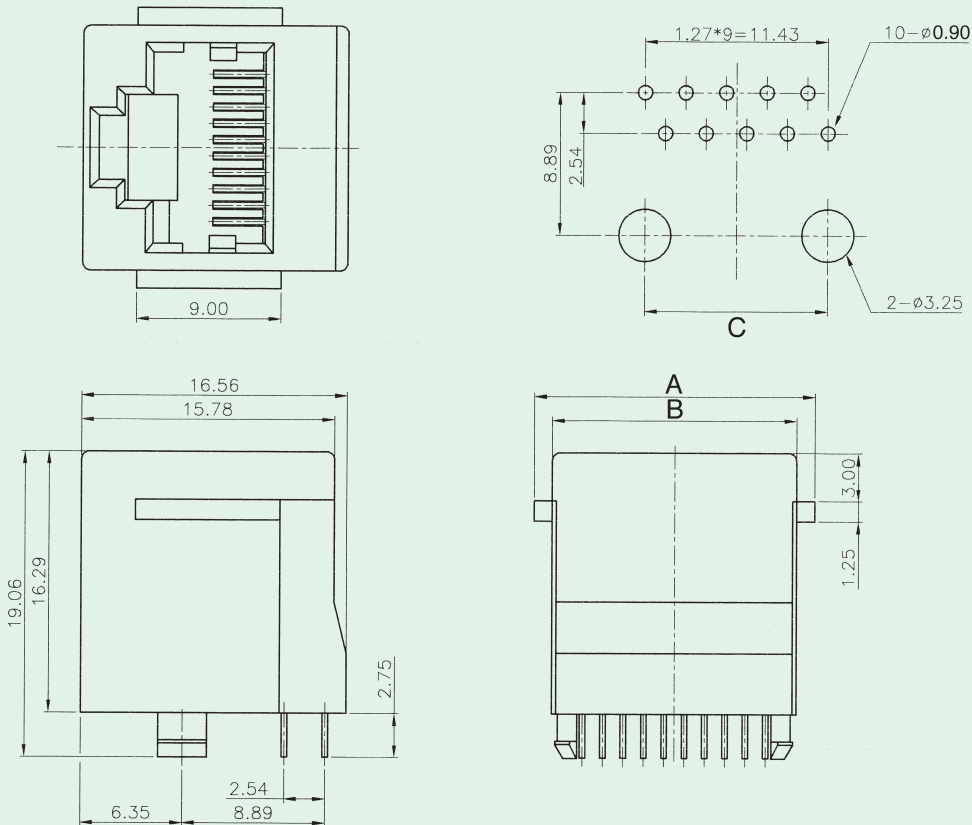
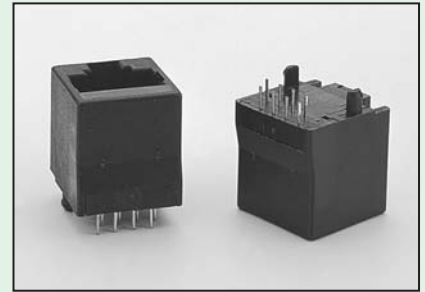




Top Entry PCB Jack (CAT.5, Unshielded Type)

KINSUN

PCB Layout / Top View



No. of Positions	Dimensions		
	A	B	C
4	13.97	11.43	7.62
6	16.00	13.46	10.16
8/10	17.50	15.26	11.43

Materials

- **Housing** : Engineering Thermoplastic.
Flammability Rating UL 94V-0.
- **Contacts** : Phosphor Bronze.
- **Plating** : Gold Plating Over Nickel In Contact Area.
Tin Plating Over Nickel In Solder Area.

Ordering Information

