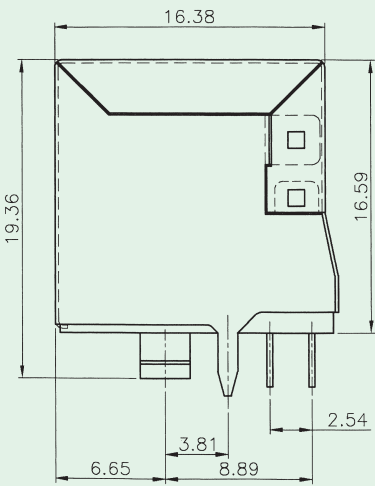
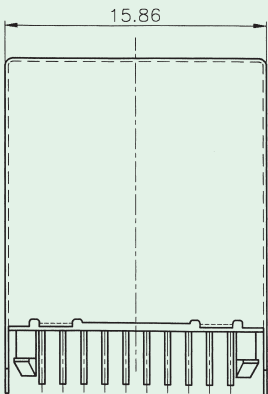
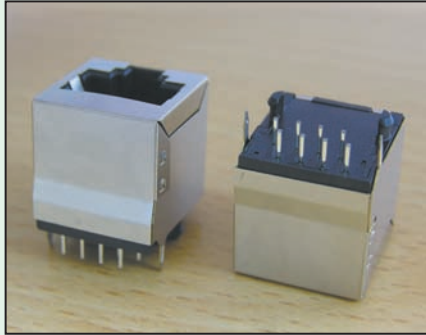
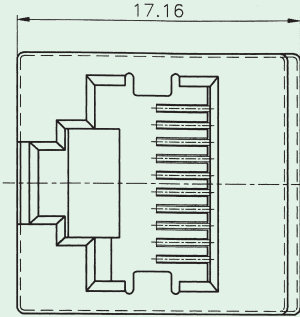
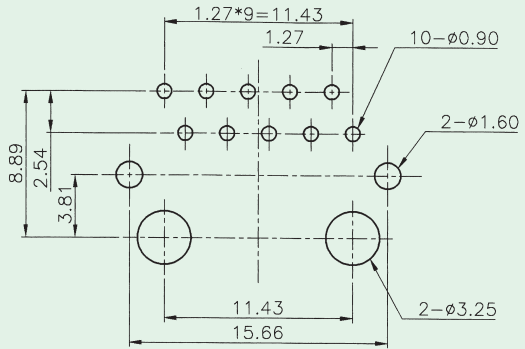




# Top Entry PCB Jack (CAT.5, Shielded Type)



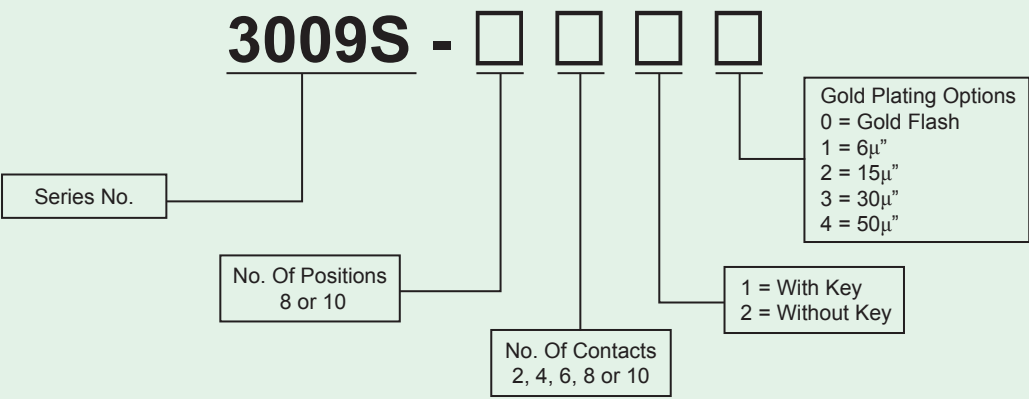
PCB Layout / Top View



## Materials

- **Shield** : Brass With Nickel Plated.
- **Housing** : Engineering Thermoplastic.  
Flammability Rating UL 94V-0.
- **Contacts** : Phosphor Bronze.
- **Plating** : Gold Plating Over Nickel In Contact Area.  
Tin Plating Over Nickel In Solder Area.

## Ordering Information



Option : More Grounding Pin Spacings.