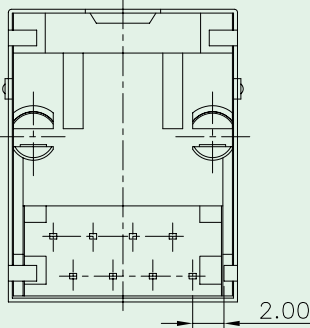
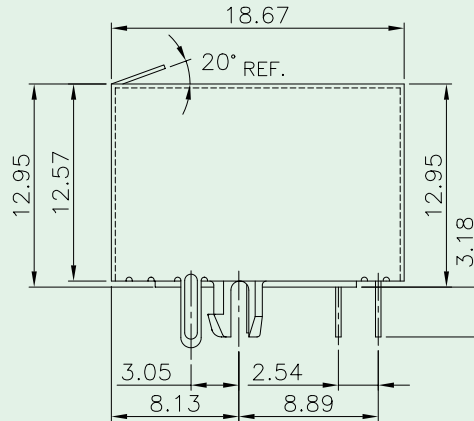
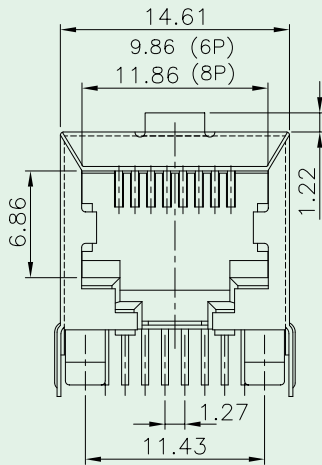
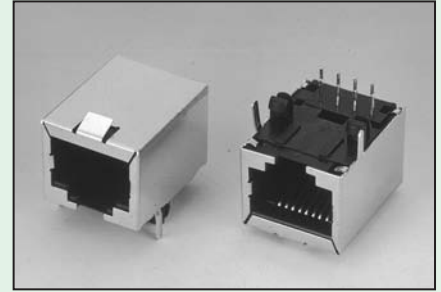


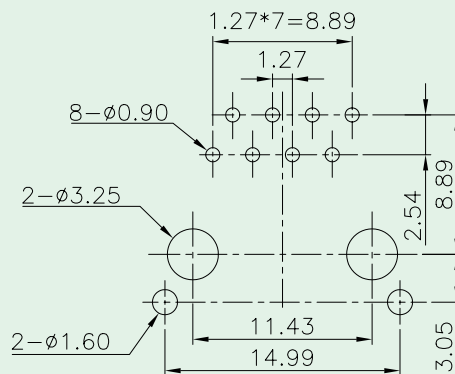


# Side Entry PCB Jack (RJ45, Shielded Type)

**KINSUN**



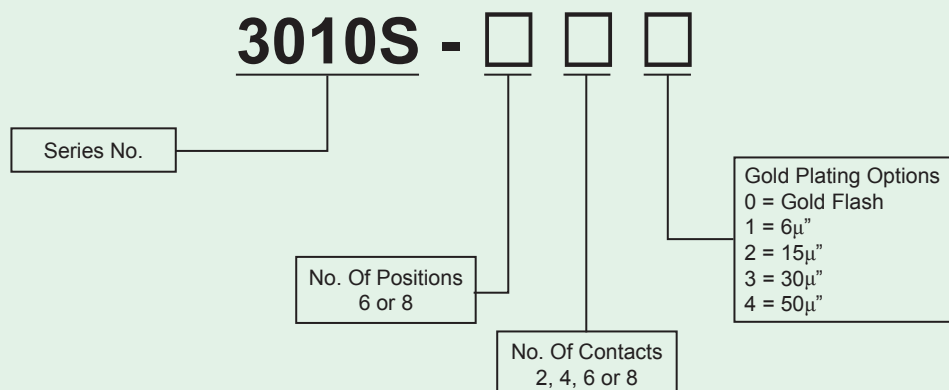
**PCB Layout / Top View**



## Materials

- **Shield** : Brass With Nickel Plated.
- **Housing** : Engineering Thermoplastic.  
Flammability Rating UL 94V-0.
- **Contacts** : Phosphor Bronze.
- **Plating** : Gold Plating Over Nickel In Contact Area.  
Tin Plating Over Nickel In Solder Area.

## Ordering Information



Option : With or Without Grounding Tabs.