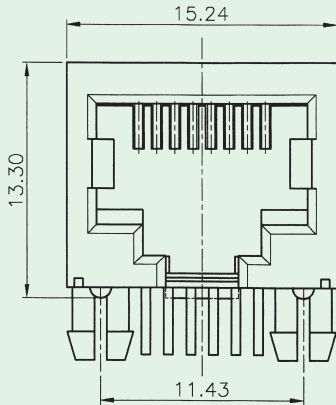


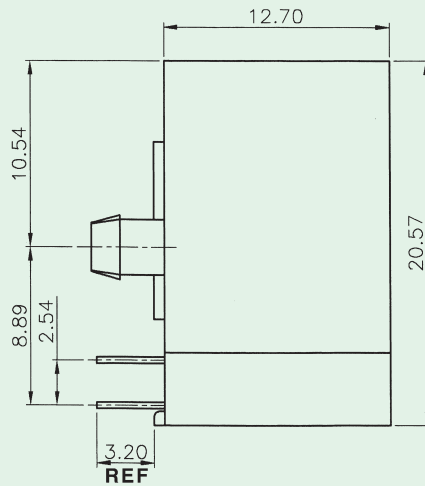
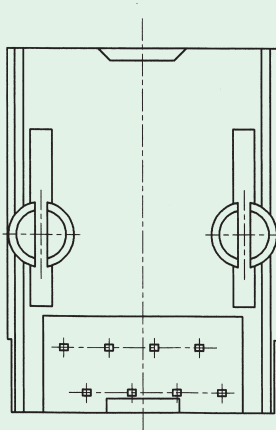
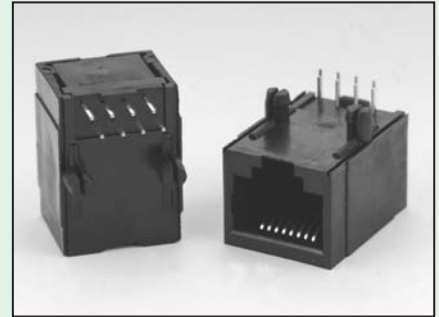
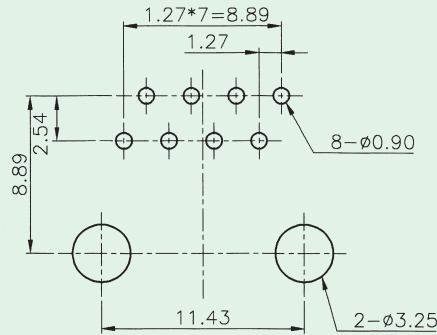


Side Entry PCB Jack (RJ45, Unshielded Type)

KINSUN



PCB Layout / Top View



Materials

- **Housing** : Engineering Thermoplastic.
Flammability Rating UL 94V-0.
- **Contacts** : 1) Flat Pins : 0.35mm Thickness Phosphor Bronze.
Gold Plating Over Nickel In Contact Area.
Tin Plating Over Nickel In Solder Area.
2) Round Pins : 0.46mm Diameter Phosphor Bronze.
Gold Plating Over Nickel.

Ordering Information

