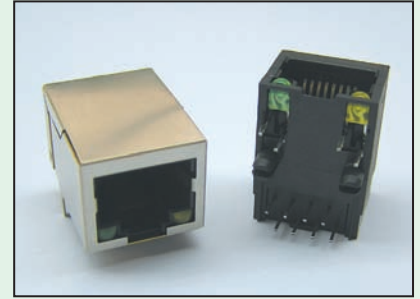
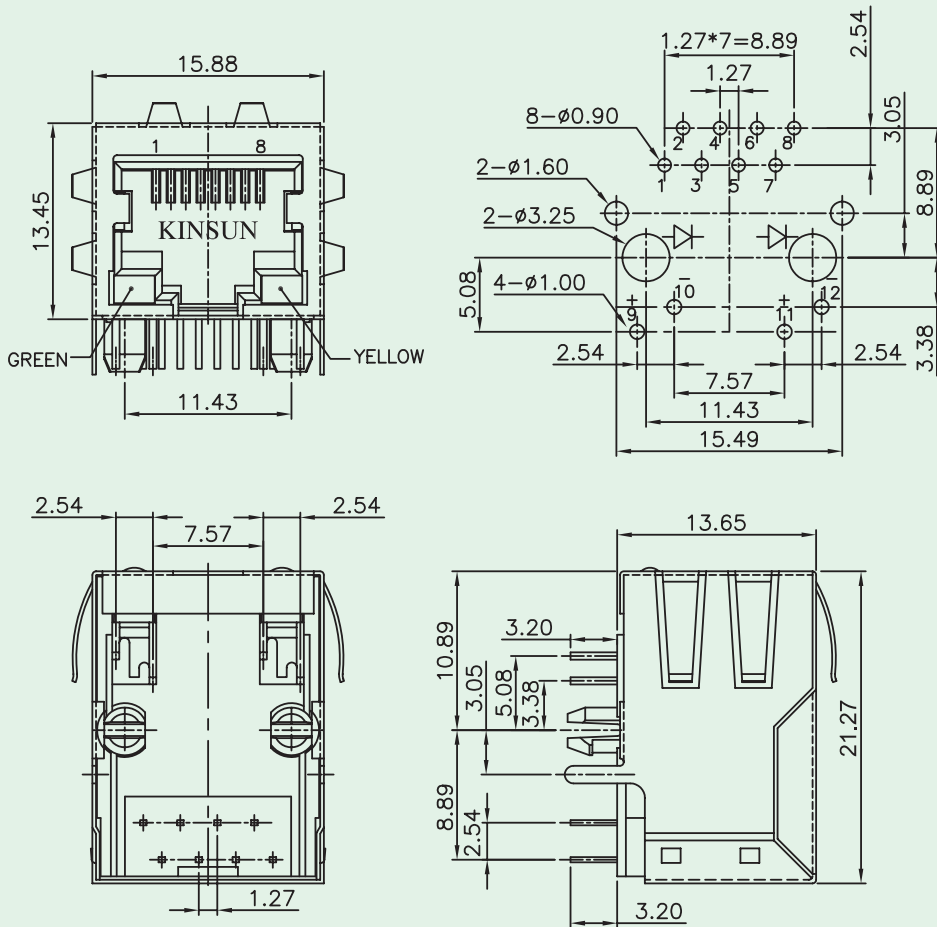




Side Entry PCB Jack Shielded (RJ45, With LED)



Materials

- **Housing** : Engineering Thermoplastic.
Flammability Rating UL 94V-0.
- **Contacts** : Phosphor Bronze.
- **Plating** : Gold Plating Over Nickel In Contact.
Tin Plating Over Nickel In Solder Area.
- **Shielded** : Brass With Nickel Plated.

Ordering Information

3012S - 01 W/LED Series