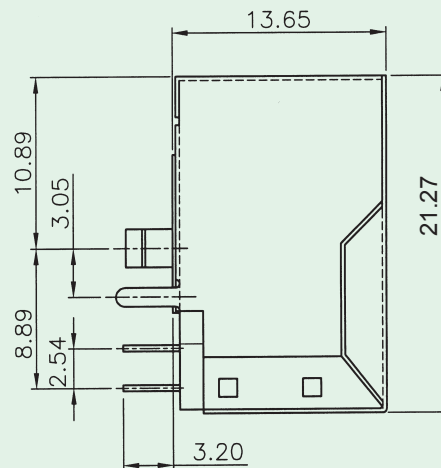
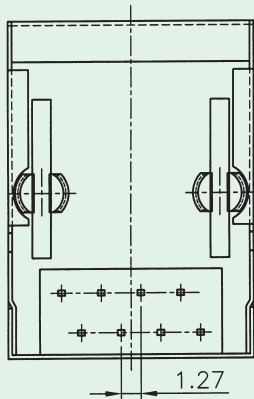
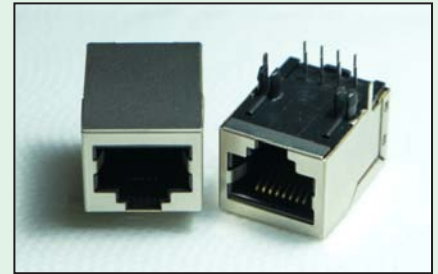
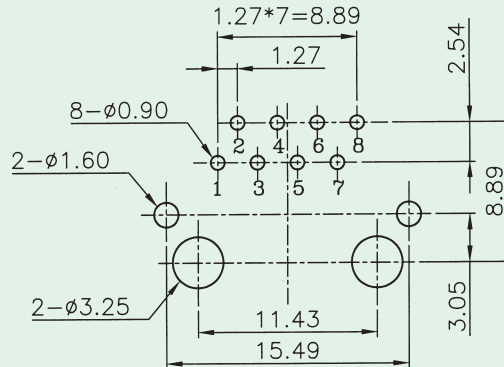
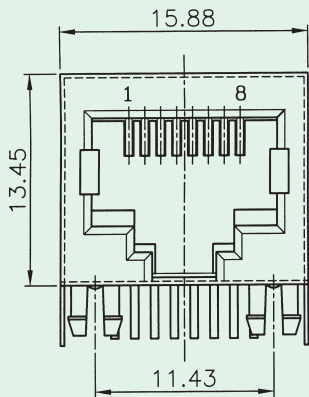




Side Entry PCB Jack (RJ45, Shielded Type)

KINSUN

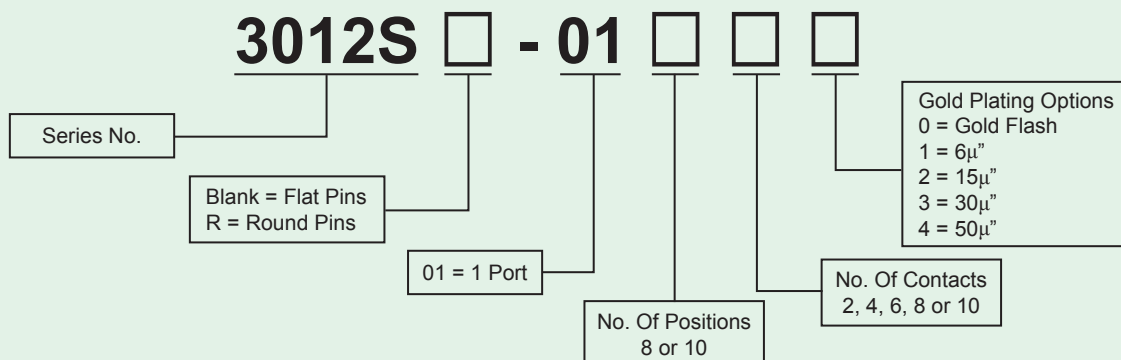
PCB Layout / Top View



Materials

- **Shield** : Brass With Nickel Plated.
- **Housing** : Engineering Thermoplastic.
Flammability Rating UL 94V-0.
- **Contacts** : 1) Flat Pins : 0.35mm Thickness Phosphor Bronze.
Gold Plating Over Nickel In Contact Area.
Tin Plating Over Nickel In Solder Area.
2) Round Pins : 0.46mm Diameter Phosphor Bronze.
Gold Plating Over Nickel.

Ordering Information



Option : (1) With or Without Different Grounding Tabs.
(2) More Grounding Pin Spacings.