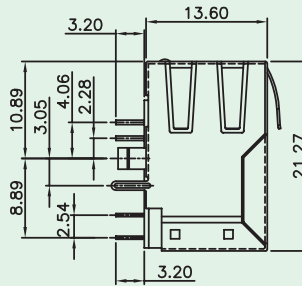
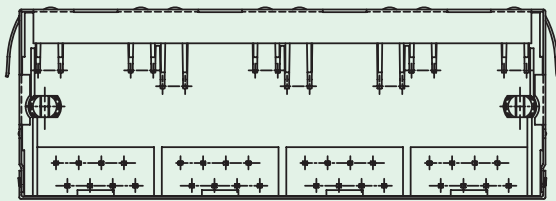
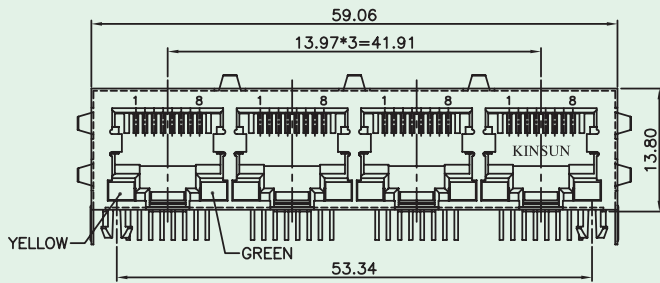
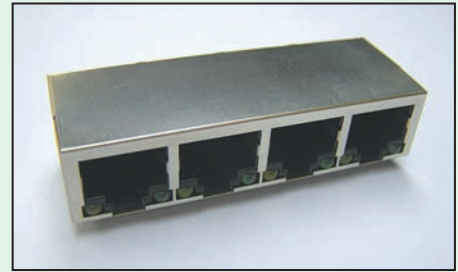


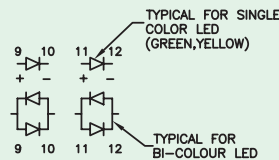
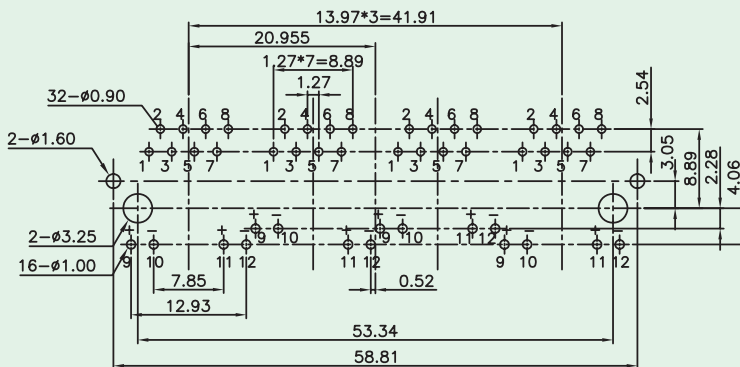


Side Entry PCB Jack Shielded (Multi-Port, With LED)

KINSUN



PCB LAYOUT/TOP VIEW



Materials

- **Housing** : Engineering Thermoplastic.
Flammability Rating UL 94V-0.
- **Contacts** : Phosphor Bronze.
- **Plating** : Gold Plating Over Nickel In Contact.
Tin Plating Over Nickel In Solder Area.
- **Shield** : Brass With Nickel Plated.

Ordering Information

3012S - 04 W/LED Series