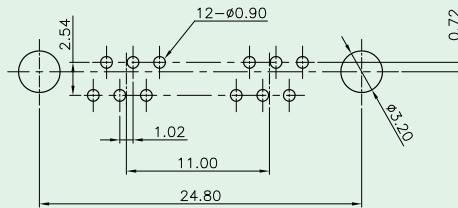
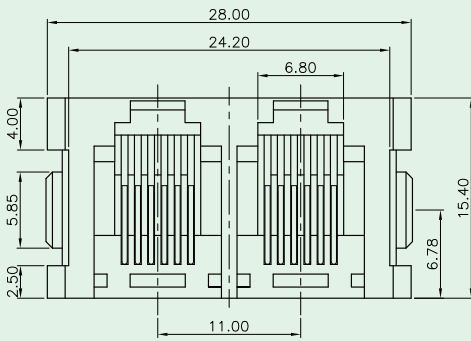
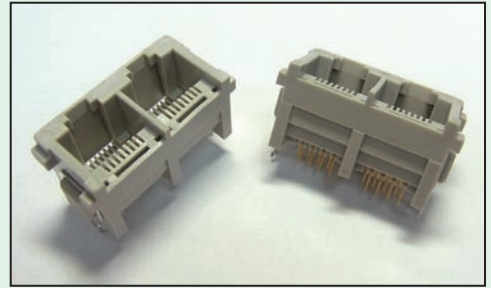
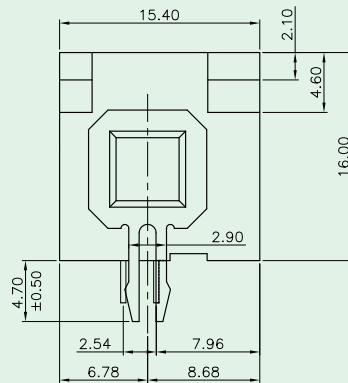
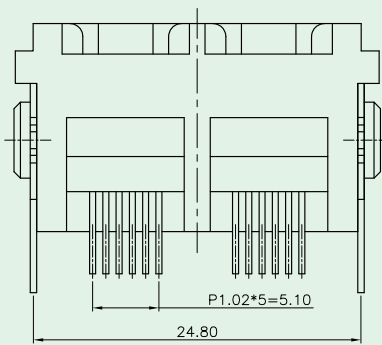




Top Entry PCB Jack (Dual-Port, With Metal Peg)



PCB LAYOUT/TOP VIEW



Materials

- **Metal Peg** : 0.5mm Thickness Phosphor Bronze With Tin Plated.
- **Housing** : Engineering Thermoplastic.
Flammability Rating UL 94V-0.
- **Standard Color** : Black or Bronze.
- **Contacts** : 0.46mm Diameter Phosphor Bronze.
Gold Plating Over Nickel.

Ordering Information

