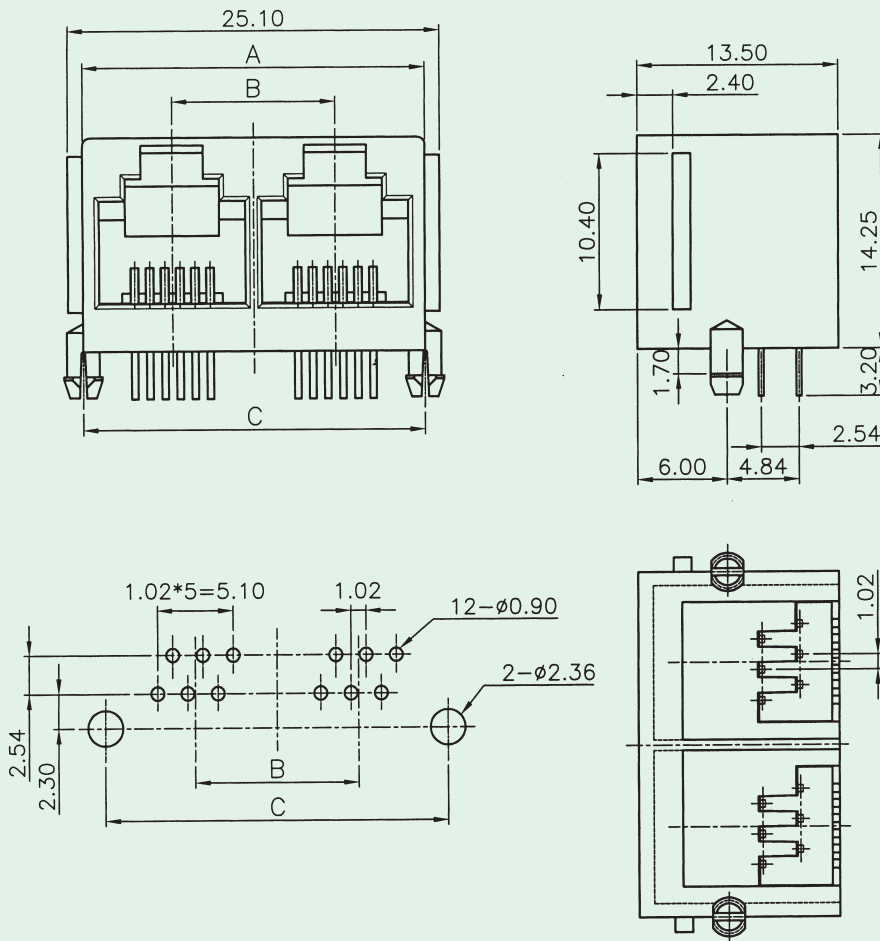
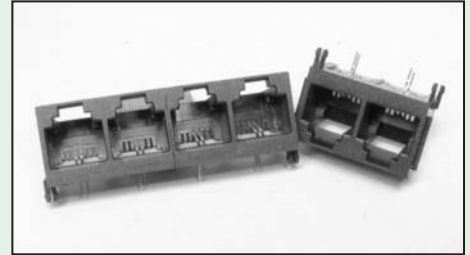




Side Entry PCB Jack (Multi-Port, RJ11, UTP)

KINSUN

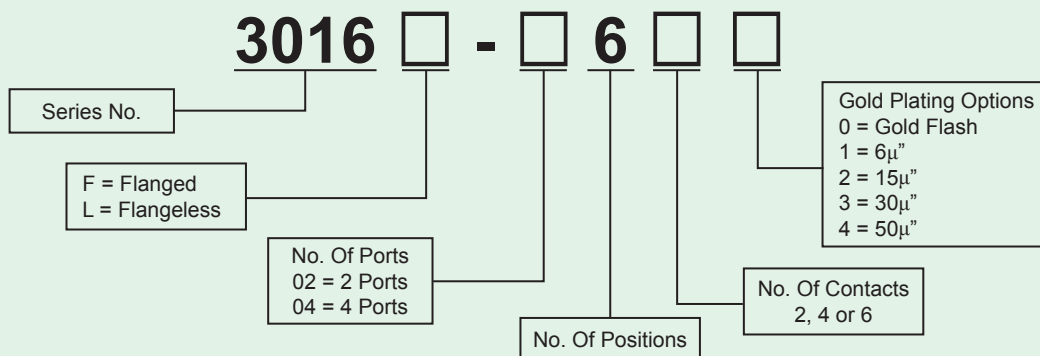


Part No.	No. of Ports	A	B	C
3016-02	2	23.10	11.00	23.10
3016-04	4	45.10	33.00	45.10

Materials

- **Housing** : Engineering Thermoplastic.
Flammability Rating UL 94V-0.
Standard Color : Black or Gray.
- **Contacts** : Phosphor Bronze.
- **Plating** : Gold Plating Over Nickel In Contact Area.
Tin Plating Over Nickel In Solder Area.

Ordering Information



For More Information : Other Ports Will Be Available Under Your Confirmation.