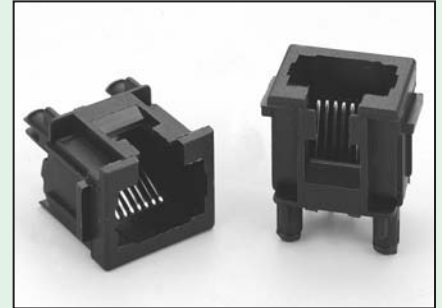
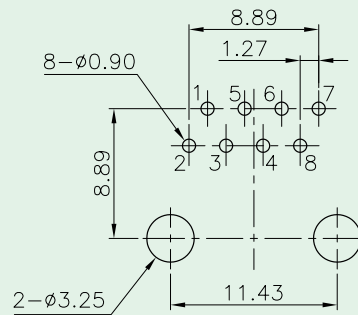
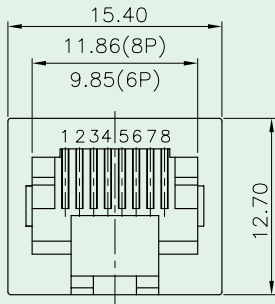


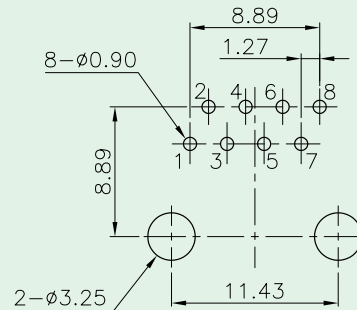
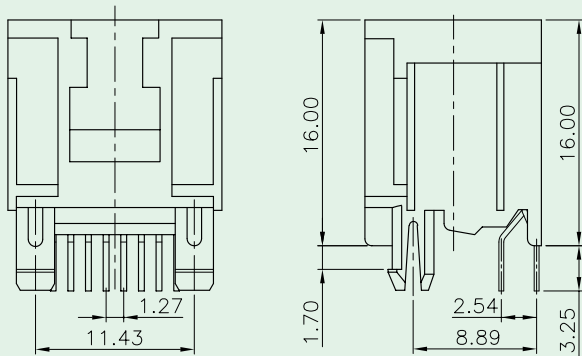


Top Entry PCB Jack (CAT.5, Unshielded Type)

KINSUN



CAT.5 PCB Layout / Top View



Standard PCB Layout / Top View

Materials

- **Housing** : Engineering Thermoplastic.
Flammability Rating UL 94V-0.
- **Contacts** : Phosphor Bronze.
- **Plating** : Gold Plating Over Nickel In Contact Area.
Tin Plating Over Nickel In Solder Area.

Ordering Information

