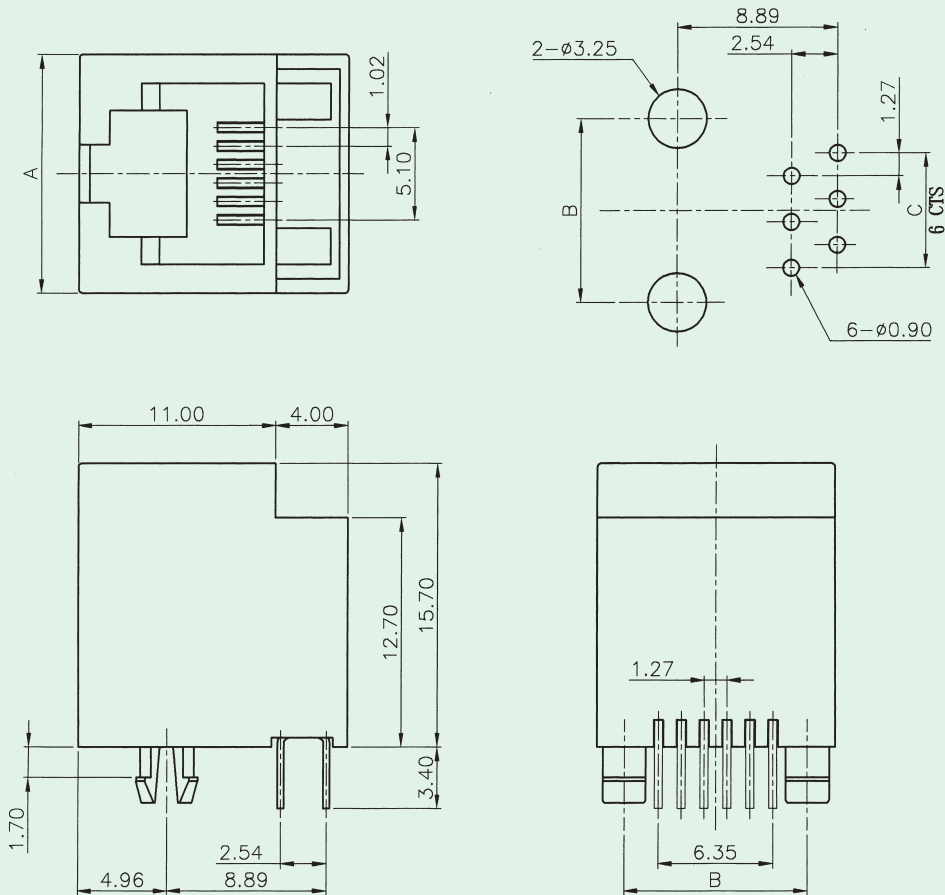
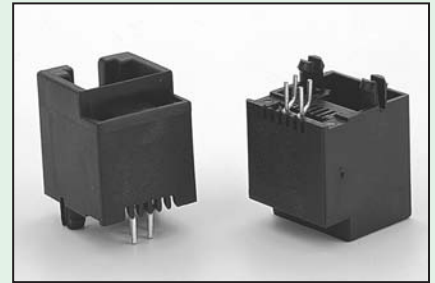




Top Entry PCB Jack

KINSUN



No. of Positions	Dimensions		
	A	B	C
4	11.20	7.62	3.81
6	13.21	10.16	6.35
8	15.25	11.43	8.89

Materials

- **Housing** : Engineering Thermoplastic.
Flammability Rating UL 94V-0.
- **Contacts** : Phosphor Bronze.
- **Plating** : Gold Plating Over Nickel In Contact Area.
Tin Plating Over Nickel In Solder Area.

Ordering Information

