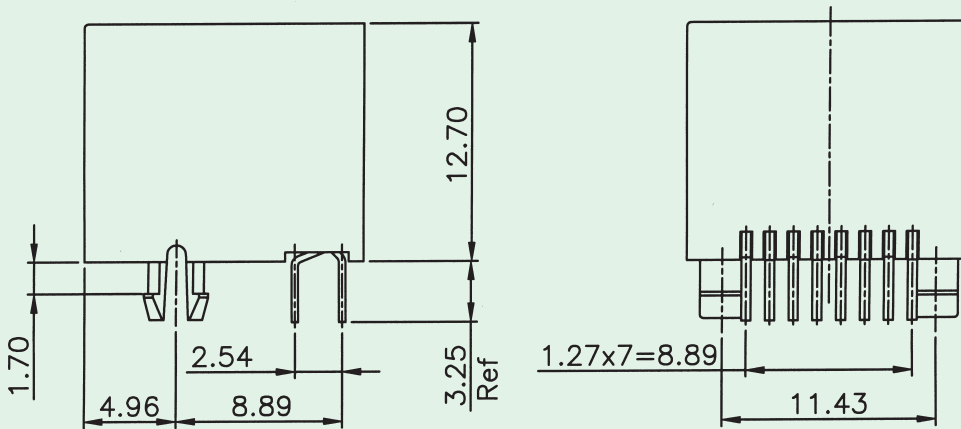
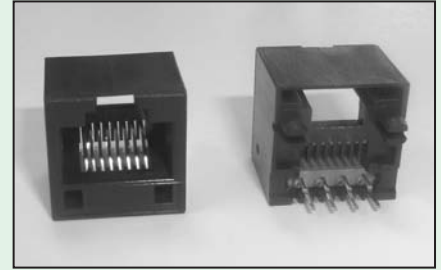
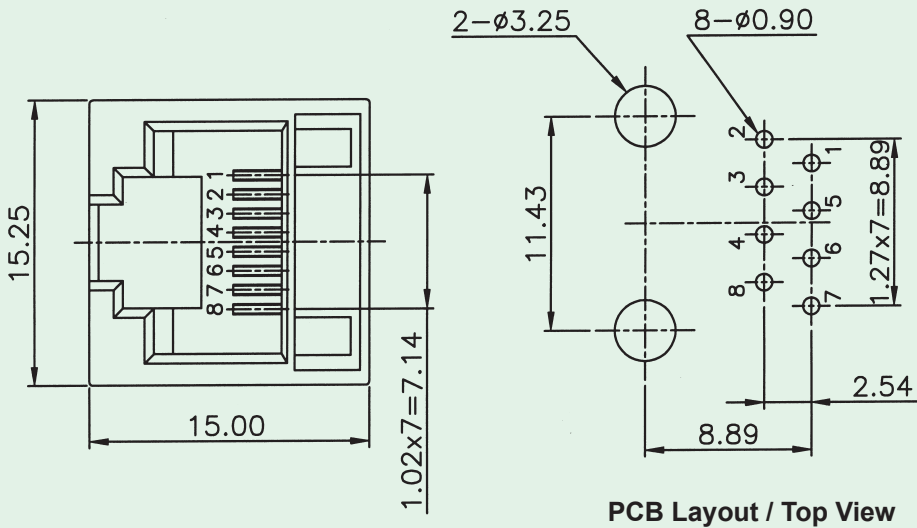




# Top Entry PCB Jack (Low Profile, CAT.5)

**KINSUN**



## Materials

- **Housing** : Engineering Thermoplastic.  
Flammability Rating UL 94V-0.
- **Contacts** : Phosphor Bronze.
- **Plating** : Gold Plating Over Nickel In Contact Area.  
Tin Plating Over Nickel In Solder Area.

## Ordering Information

**3018C - 8**    **CAT.5**

