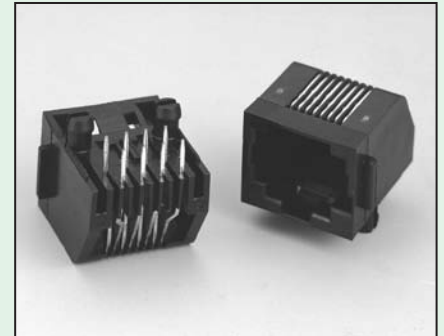
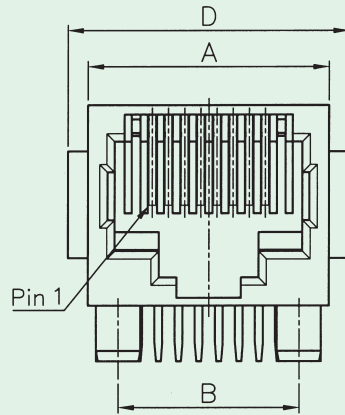
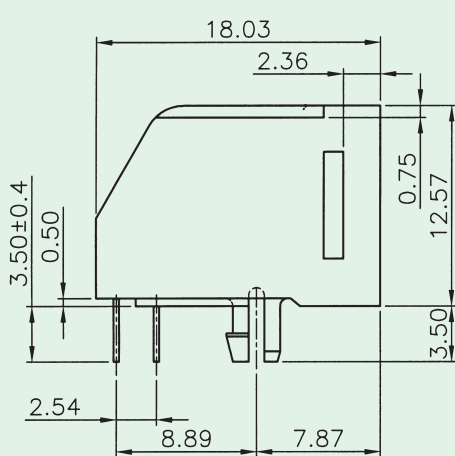


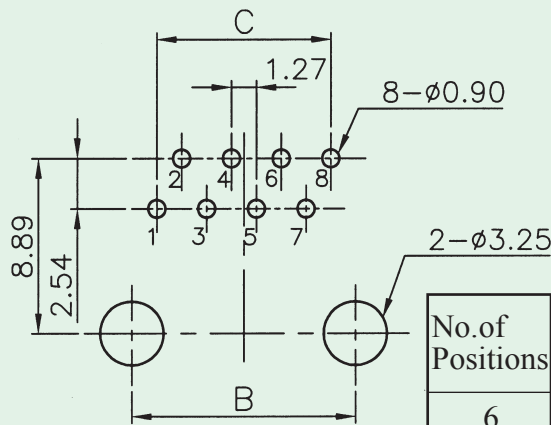
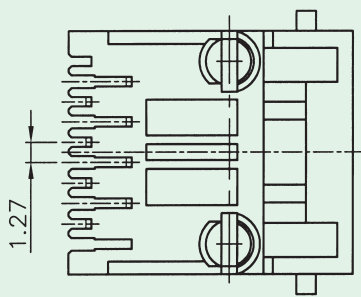


# Side Entry PCB Jack ( Low Profile, Unshielded )

**KINSUN**



PCB Layout / Top View



No. of Positions	No. of Contacts	Dimensions			
		A	B	C	D
6	6/4/2	13.21	10.16	6.35	15.74
8	8/10	15.24	11.43	8.89	17.78

## Materials

- **Housing** : Engineering Thermoplastic.  
Flammability Rating UL 94V-0.
- **Contacts** : Phosphor Bronze.
- **Plating** : Gold Plating Over Nickel In Contact Area.  
Tin Plating Over Nickel In Solder Area.

## Ordering Information

