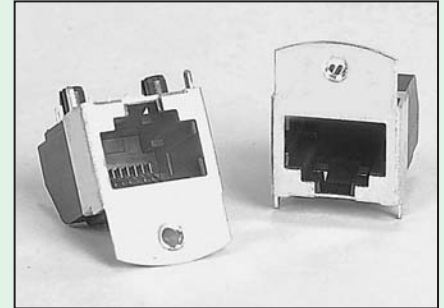
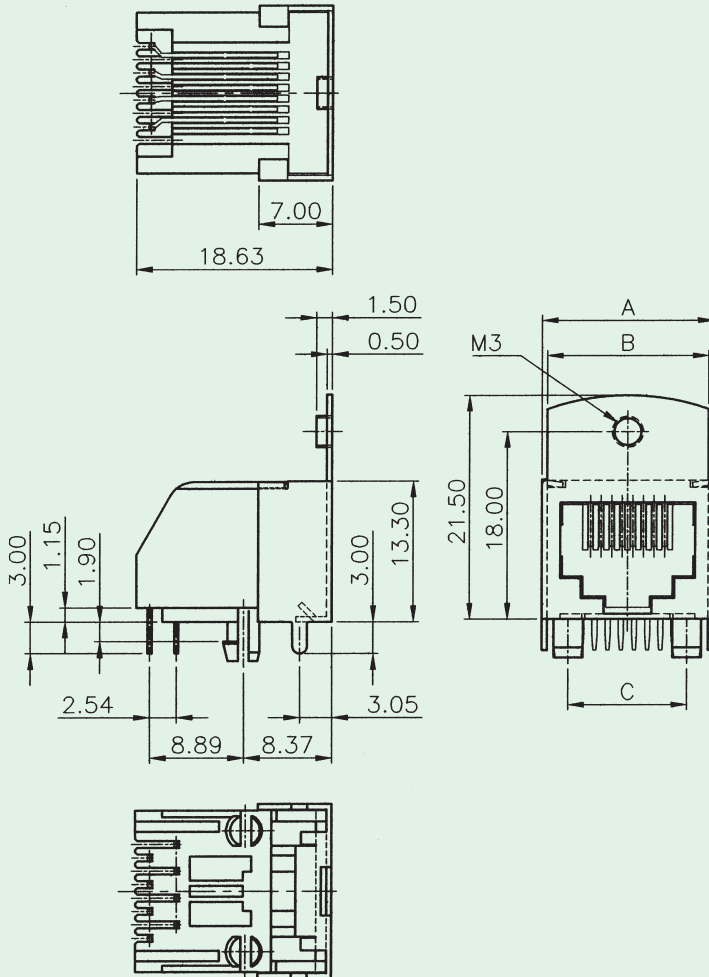


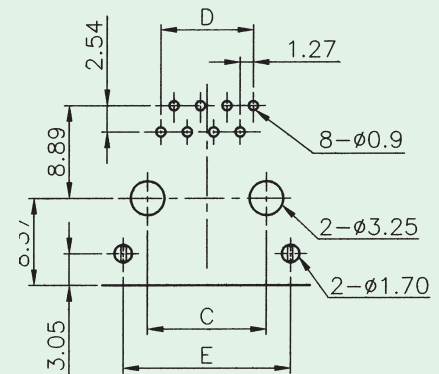


Side Entry PCB Jack (Low Profile, Shielded With Screw Hole)

KINSUN



| No. of Positions | Dimensions | | | | |
|------------------|------------|-------|-------|------|-------|
| | A | B | C | D | E |
| 6 | 14.50 | 13.50 | 10.16 | 6.35 | 13.84 |
| 8 | 16.53 | 15.53 | 11.43 | 8.89 | 16.11 |



PCB Layout / Top View

Materials

- **Shield** : 0.5mm Thickness Brass With Nickel Plated.
- **Housing** : Engineering Thermoplastic.
Flammability Rating UL 94V-0.
- **Contacts** : Phosphor Bronze.
- **Plating** : Gold Plating Over Nickel In Contact Area.
Tin Plating Over Nickel In Solder Area.

Ordering Information

