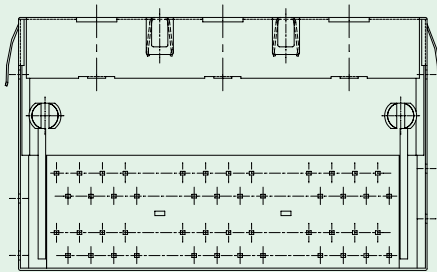
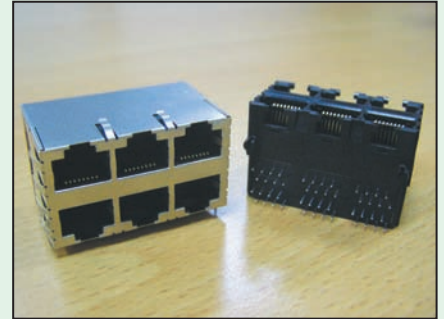
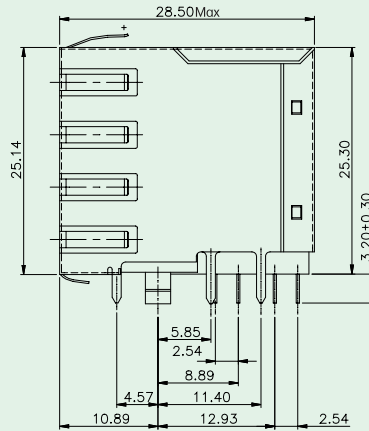
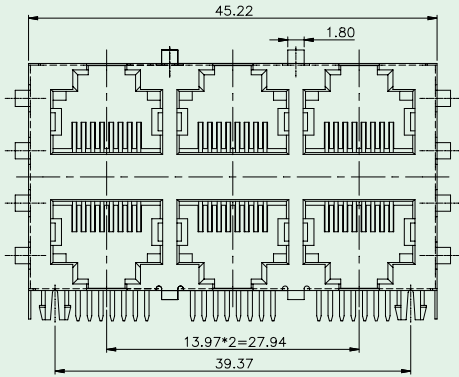


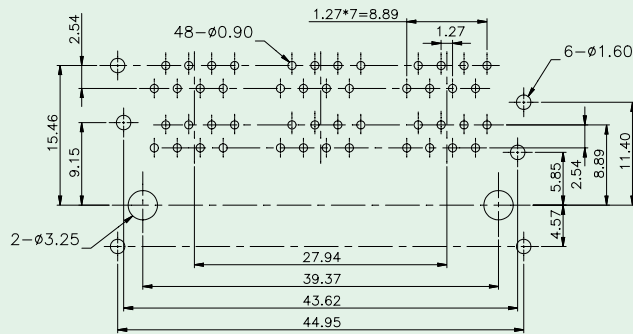


Double Level PCB Jack

KINSUN



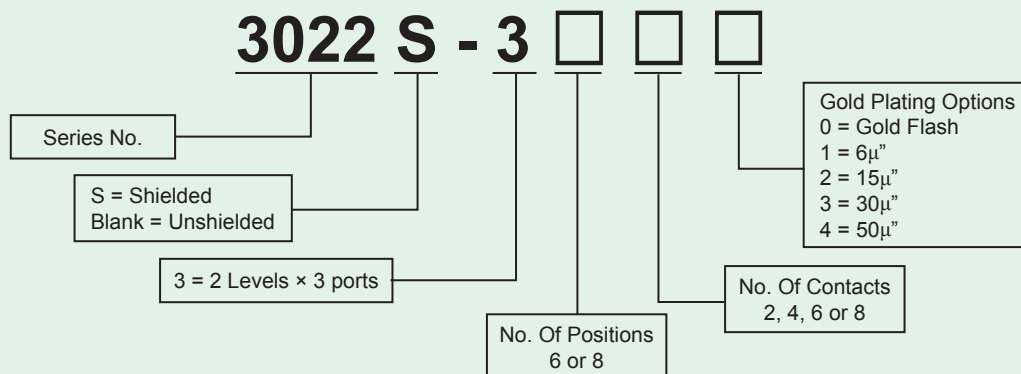
PCB Layout / Top View



Materials

- **Shield** : Brass With Nickel Plated.
- **Housing** : Engineering Thermoplastic.
Flammability Rating UL 94V-0.
- **Contacts** : Phosphor Bronze.
- **Plating** : Gold Plating Over Nickel In Contact Area.
Tin Plating Over Nickel In Solder Area.

Ordering Information



- Options : (1) CAT.5 or CAT.3.
(2) With or Without Different Grounding Tabs.