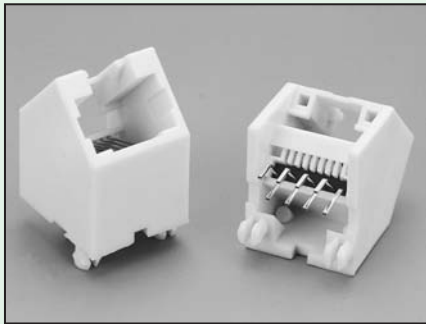
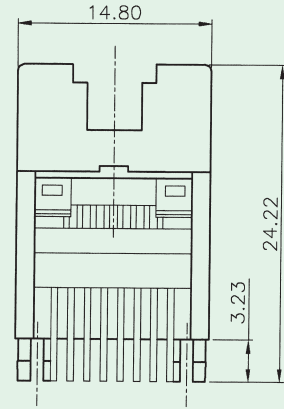
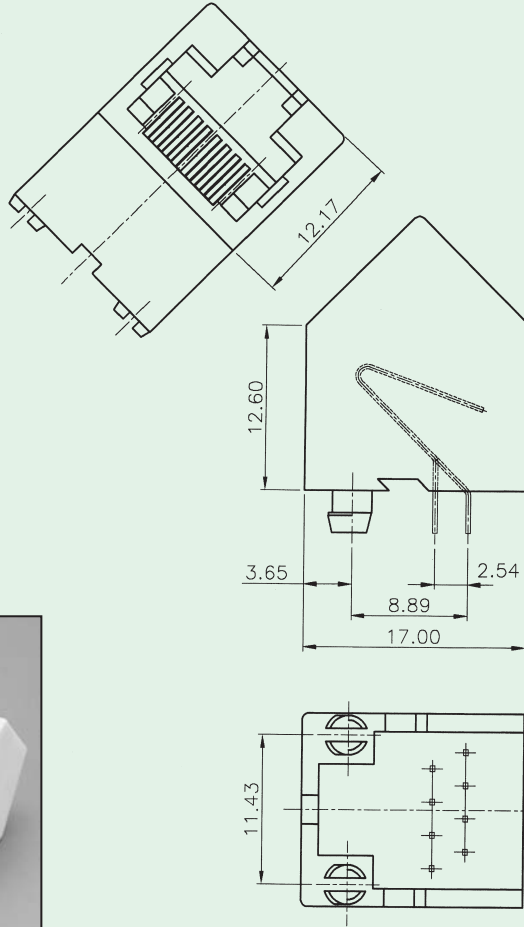


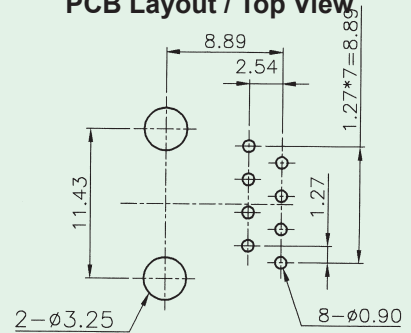


45 Degree PCB Jack (Unshielded Type)

KINSUN



PCB Layout / Top View



Materials

- **Housing** : Engineering Thermoplastic.
Flammability Rating UL 94V-0.
- **Contacts** : Phosphor Bronze.
- **Plating** : Gold Plating Over Nickel In Contact Area.
Tin Plating Over Nickel In Solder Area.

Ordering Information

