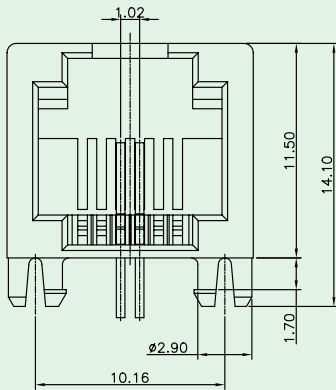
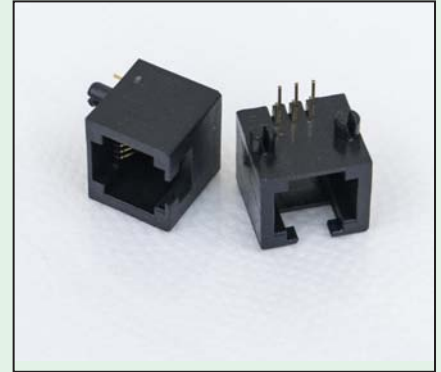
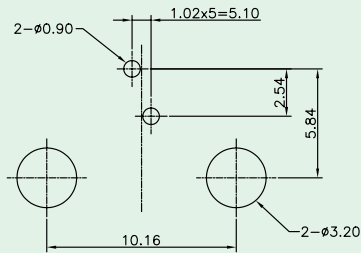
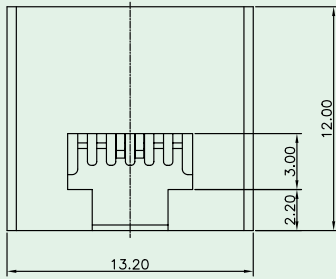


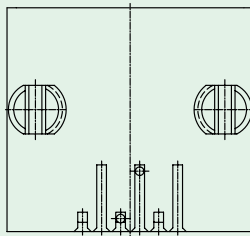
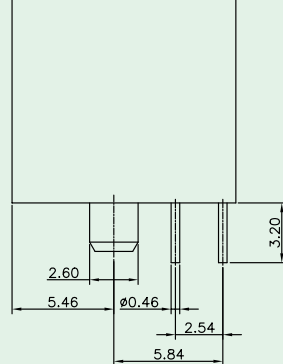


Side Entry PCB Jack (Up Latch, RJ11, Unshielded Type)

KINSUN



PCB Layout / Top View



Materials

- **Housing** : Engineering Thermoplastic.
Flammability Rating UL 94V-0.
- **Contacts** : 0.46mm Diameter Phosphor Bronze.
- **Plating** : Gold Plating Over Nickel.

Ordering Information

