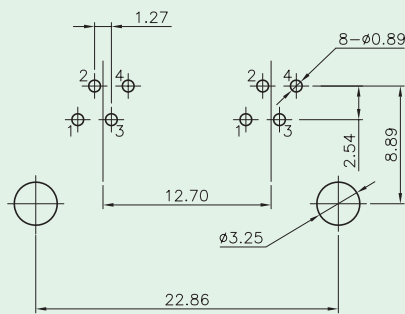
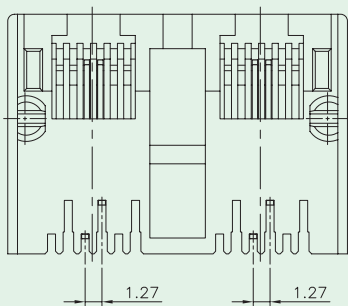
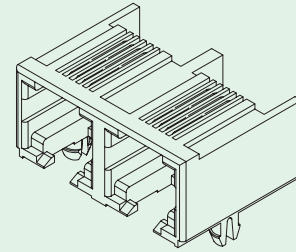
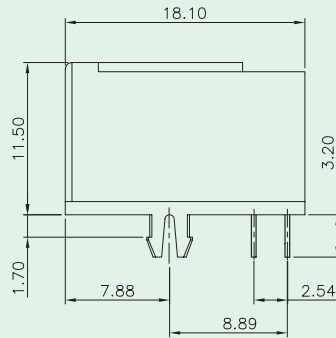
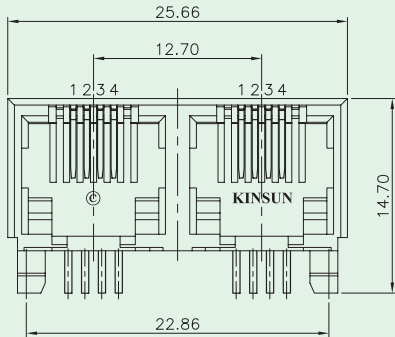




Side Entry PCB Jack (Very Low Profile, Unshielded)

KINSUN



RECOMMEND P.C.B. LAYOUT

Materials

- **Plastic Housing** : Engineering Thermoplastic.
Flammability Rating UL 94V-0.
- **Contacts** : Phosphor Bronze.
- **Plating** : Gold Plating Over Nickel In Contact.
Tin Plating Over Nickel In Solder Area.

Ordering Information

