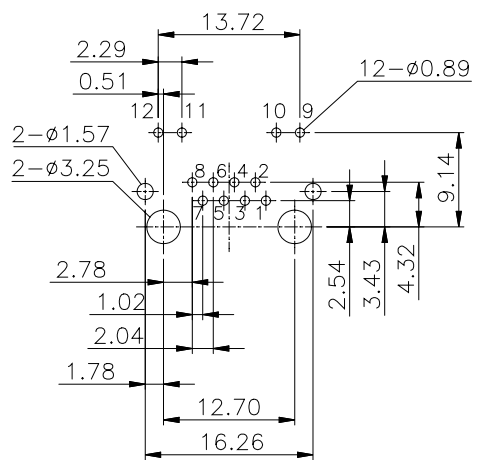
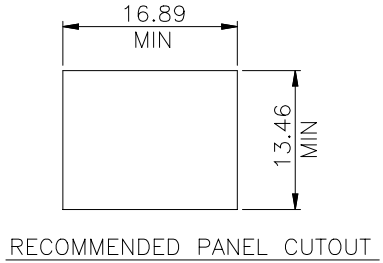
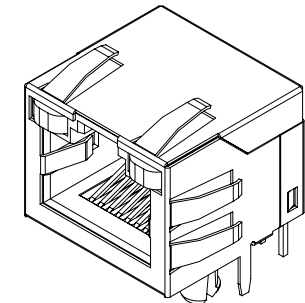
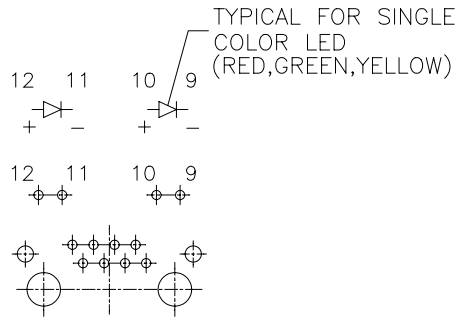
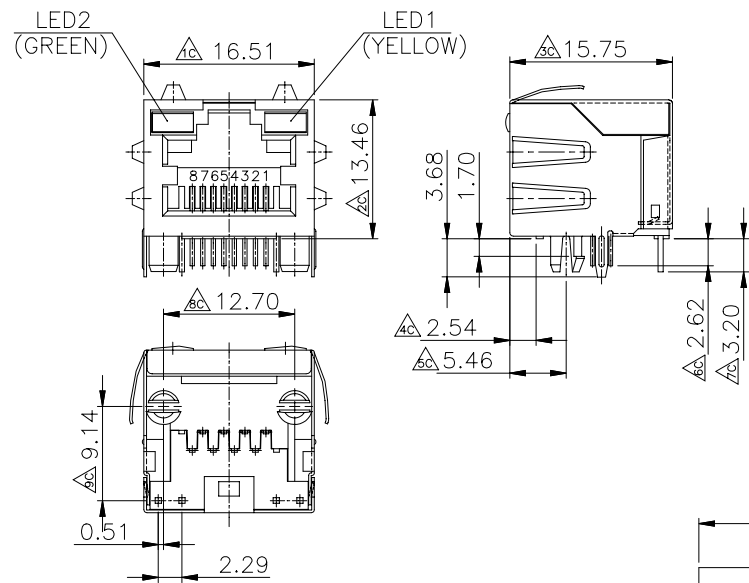


RoHS COMPLIANT



P.C.B LAYOUT/TOP VIEW

BOM NO:  
 6u" : 3046105610  
 15u" : 3046105710  
 30u" : 3046105810  
 50u" : 3046105910  
 ※凡標註 △ 記號者為品管管制尺寸。

MATERIALS:  
 PLASTIC HOUSING: ENGINEERING THERMOPLASTIC  
 FLAMMABILITY RATING UL 94V-0.  
 CONTACTS: PHOSPHOR BRONZE  
 PLATING: GOLD PLATING OVER NICKEL IN CONTACT,  
 TIN PLATING OVER NICKEL IN SOLDER AREA.  
 SHIELD: COPPER ALLOY PLATING NICKEL ALLOY.

|   |                                 |   |  |
|---|---------------------------------|---|--|
| 設計 DR.<br>Kathy Chung<br>2008-03-21     | 核准 APPD.<br>Jerry<br>2008-03-21 | 容許公差 TOLERANCE<br>.XXX ±0.10<br>.XX ±0.25<br>.X ±0.38<br>X ±0.50<br>ANG ±3° | 品名 ARTICLE<br>3046S 8P8C JACK W/LED(G-Y) |
| 版本說明 REVISION NOTE<br>調整LED標註方式,圖面更新版本。 |                                 | 圖號 DWG NO.<br>3046105610  | 單位 UNIT<br>mm                            |
|   |                                 |   | 比例 SCALE<br>2/1                          |
|   |                                 |   | 張數 SHEET<br>1/1                          |
|   |                                 |   | 版本 REV.<br>D                             |

