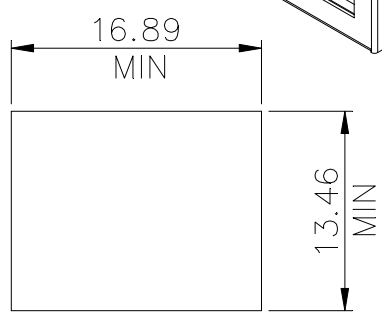
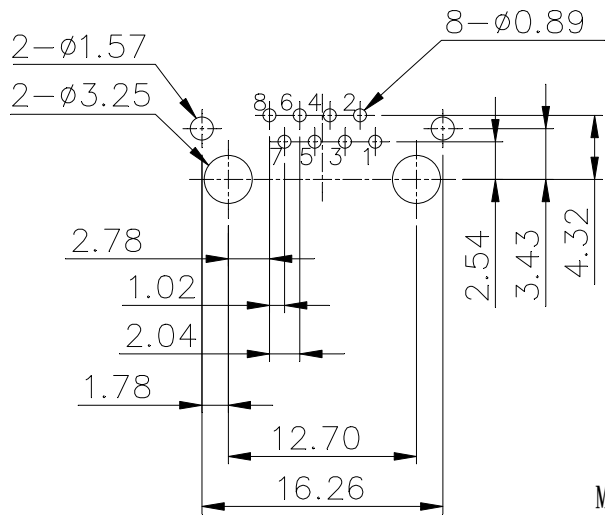
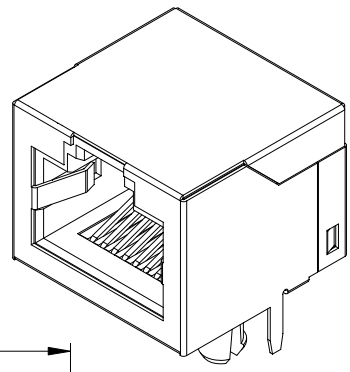


RoHS COMPLIANT



RECOMMENDED PANEL CUTOUT

P.C.B LAYOUT/TOP VIEW

MATERIALS:

PLASTIC HOUSING: ENGINEERING THERMOPLASTIC
FLAMMABILITY RATING UL 94V-0.

CONTACTS: PHOSPHOR BRONZE

PLATING: GOLD PLATING OVER NICKEL IN CONTACT.
TIN PLATING OVER NICKEL IN SOLDER AREA.

SHIELD: BRASS PLATING NICKEL ALLOY.

ENVIRONMENTAL:

OPERATING TEMPERATURE: 0°C TO +70°C.

凡標註記號者為品管管制尺寸。 STORAGE TEMPERATURE: -40°C TO +80°C.

設計 DR. Kathy Chung 2012/06/13	核准 APPD. Jerry 2012/06/13	容許公差 TOLERANCE .XXX ±0.10 .XX ±0.25 .X ±0.38 X ±0.50	品名 ARTICLE 3046S 8P8C JACK
版本說明 REVISION NOTE		更正側視圖 STAND OFF 與實品相符, 圖面發版。 ±3°	圖號 DWG NO. 3046105611
			單位 UNIT mm
			比例 SCALE 2/1
			張數 SHEET 1/1
			版本 REV. 1