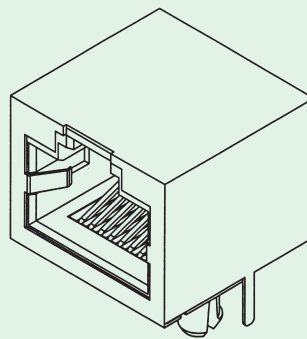
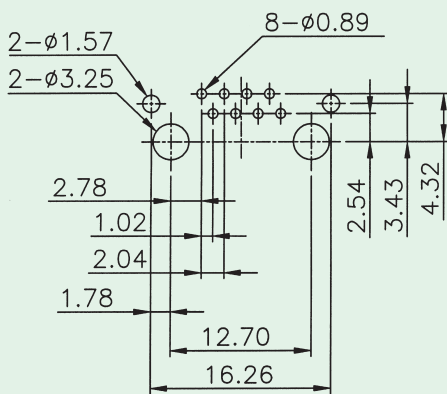
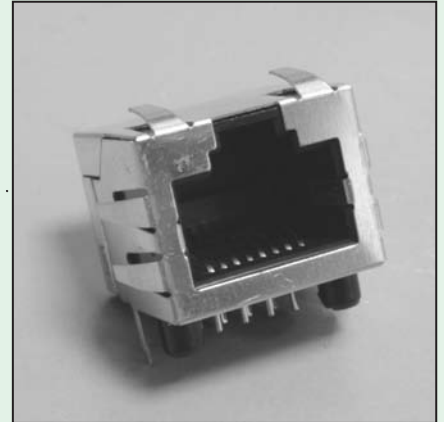
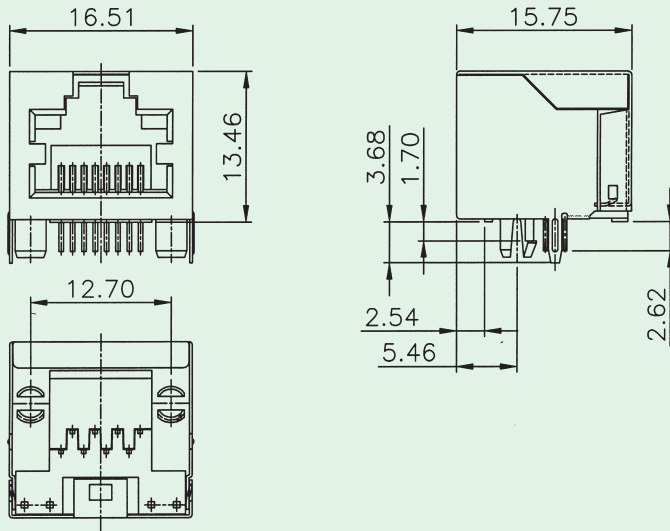




Side Entry PCB Jack (Up Latch, RJ45, Shielded Type)

KINSUN

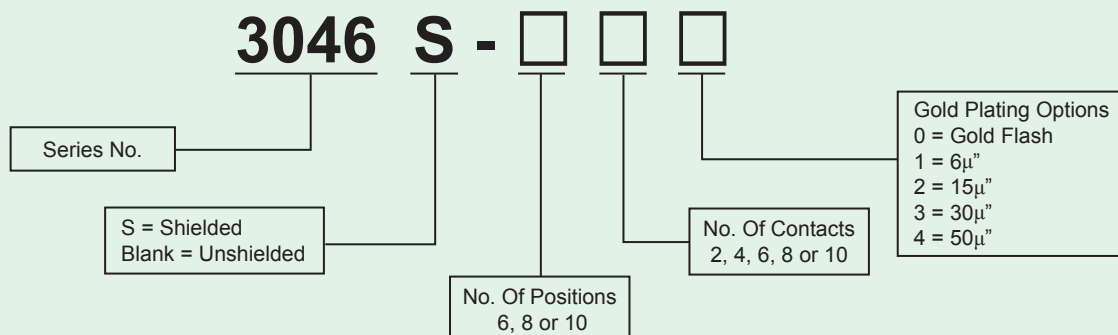


PCB Layout / Top View

Materials

- **Housing** : Engineering Thermoplastic.
Flammability Rating UL 94V-0.
- **Contacts** : Phosphor Bronze.
- **Plating** : Gold Plating Over Nickel In Contact Area.
Tin Plating Over Nickel In Solder Area.

Ordering Information



Option : With or Without Different Grounding Tabs.