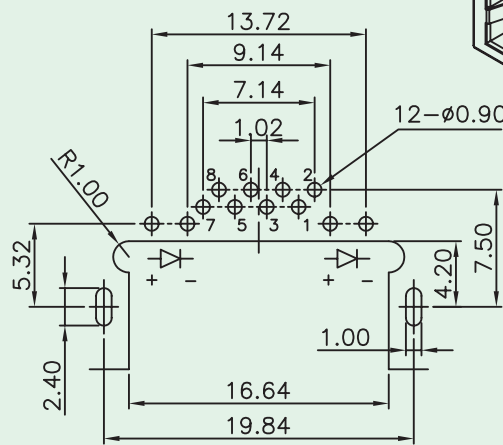
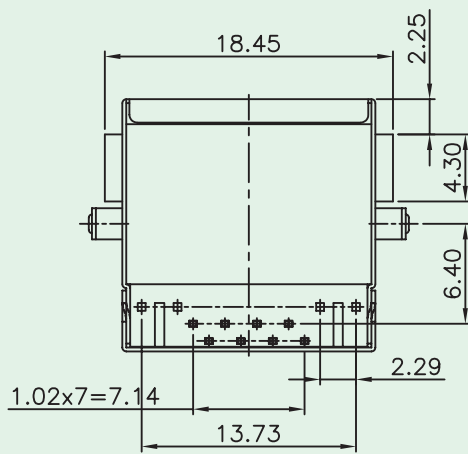
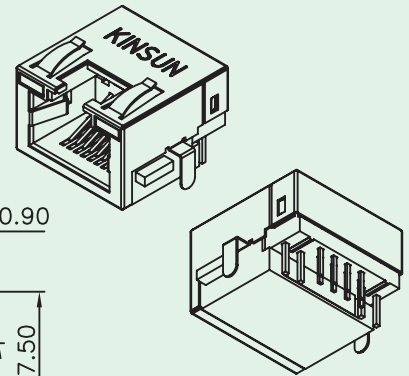
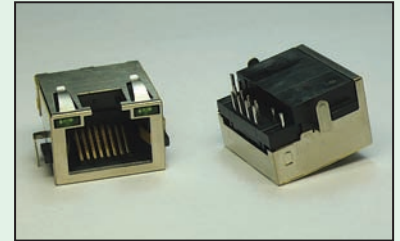
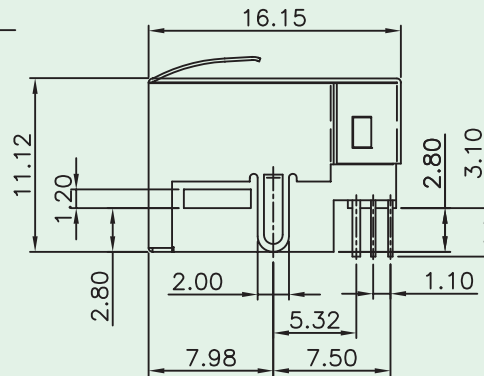
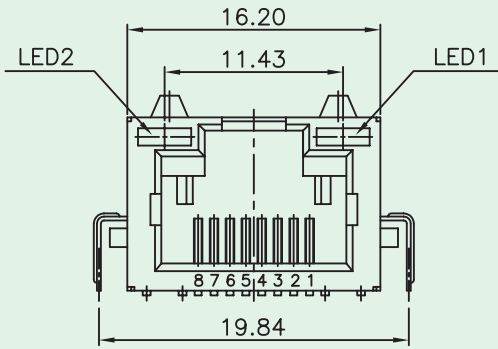




Embedded PCB Jack Shielded With LED

KINSUN



RECOMMENDED PCB LAYOUT (TOP VIEW)

CODE	LED1	LED2
0	NO LED	NO LED
1	YELLOW	GREEN
2	GREEN	YELLOW
3	GREEN	GREEN
4	YELLOW	YELLOW

Materials

- **Shield** : Brass With Nickel Plated.
- **Housing** : High Tmp. Thermoplastic.
Flammability Rating UL 94V-0.
- **Contacts** : Phosphor Bronze.
- **Plating** : Gold Plating Over Nickel In Contact.
Tin Plating Over Nickel In Solder Area.

Ordering Information

