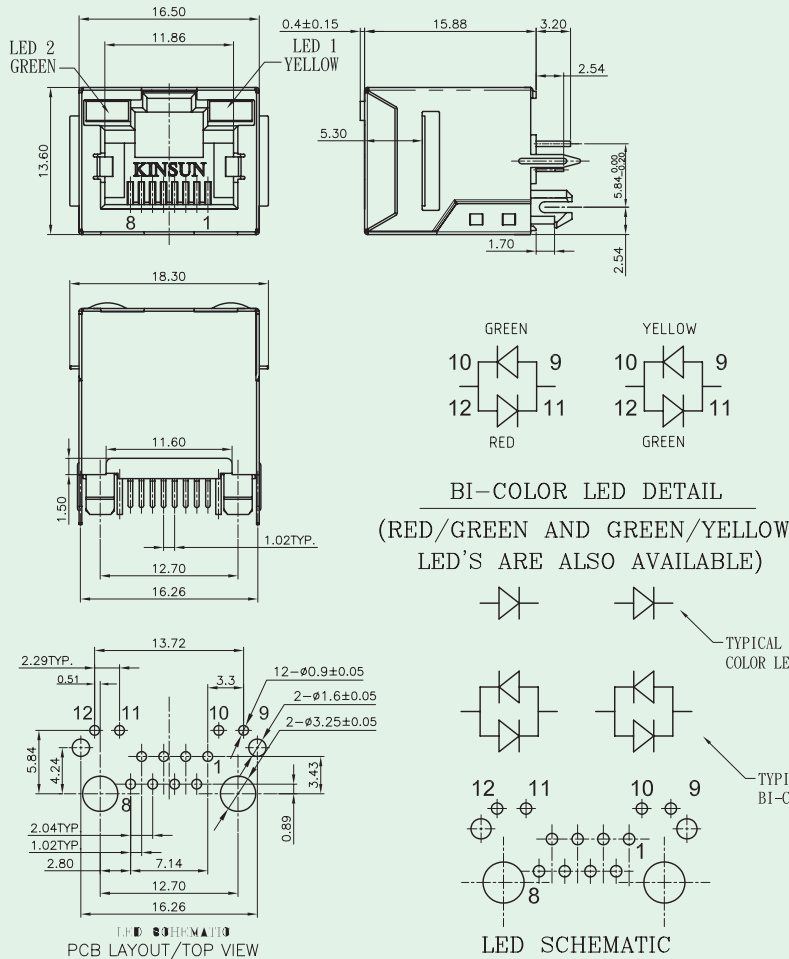
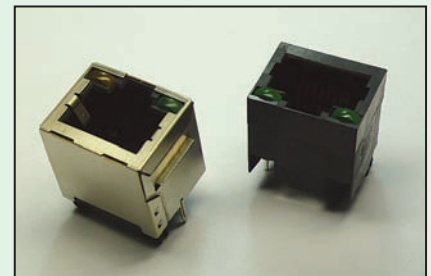




# Top Entry Single-Port PCB Jack (Shielded With LED)



Code	LED 2 (LEFT)	LED 1 (RIGHT)
0	No LED	No LED
1	Yellow	Green
2	No LED	Green
3	Green	Yellow
4	Green	Green
5	Yellow	Yellow
6	Yellow / Green	Yellow / Green
7	Green / Red	Green / Red
8	Yellow / Green	Yellow



## Materials

- **Housing** : High Temp. Thermoplastic.  
Flammability Rating UL 94V-0.
- **Contacts** : Phosphor Bronze.
- **Plating** : Gold Plating Over Nickel In Contact.  
Tin Plating Over Nickel In Solder Area.
- **Shielded** : Brass With Nickel Plated.

## Ordering Information

