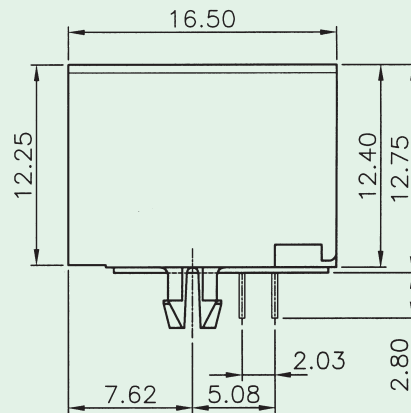
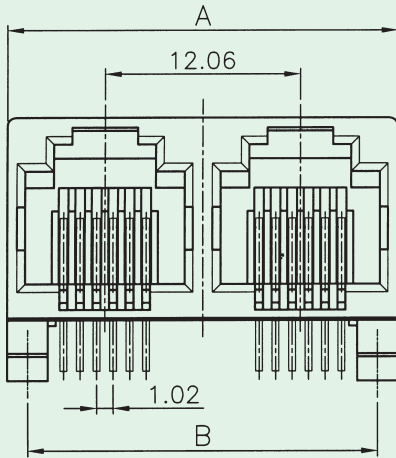


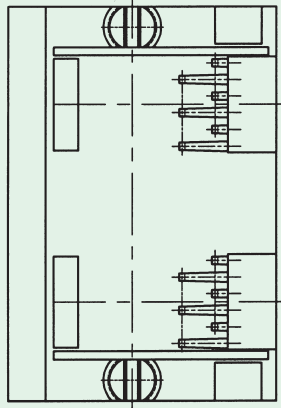
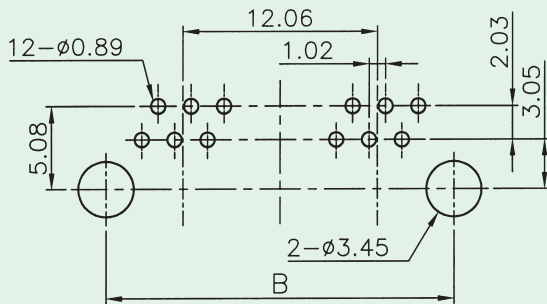


Side Entry PCB Jack (Dual-Port, Up Latch, Unshielded)

KINSUN



PCB Layout / Top View



Part No.	No. of Ports	A	B
3065-01	1	12.06	9.52
3065-02	2	24.12	21.60

Materials

- **Housing** : Engineering Thermoplastic.
Flammability Rating UL 94V-0.
- **Contacts** : Phosphor Bronze.
- **Plating** : Gold Plating Over Nickel In Contact Area.
Tin Plating Over Nickel In Solder Area.

Ordering Information

