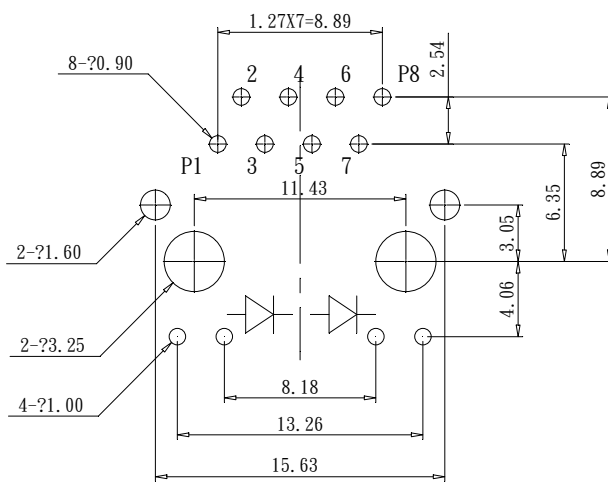
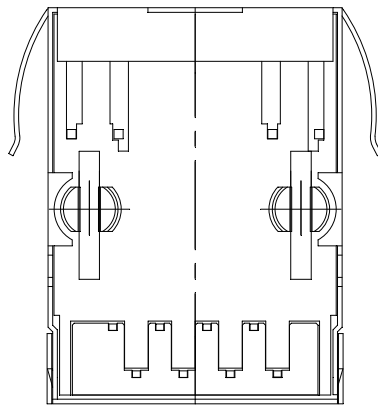
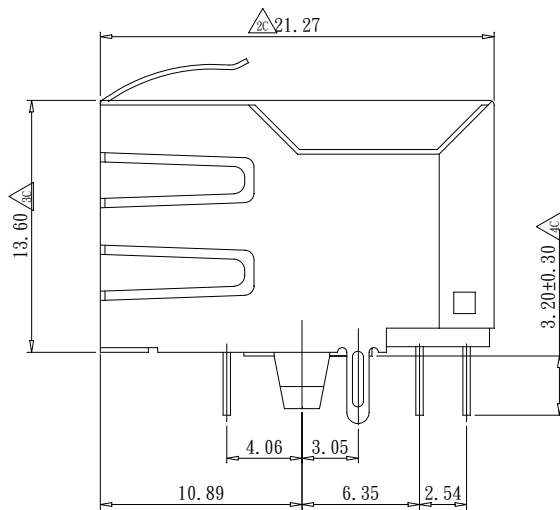
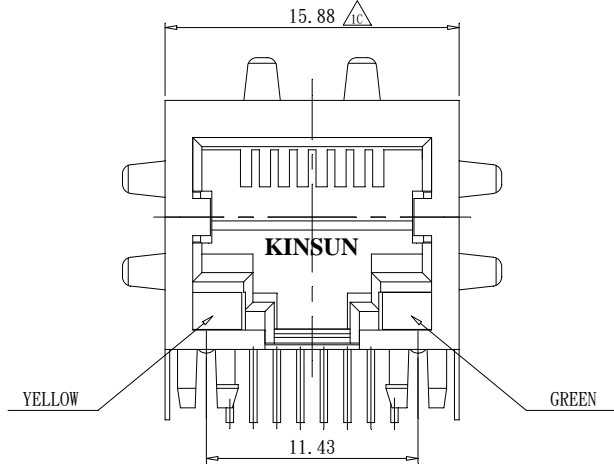
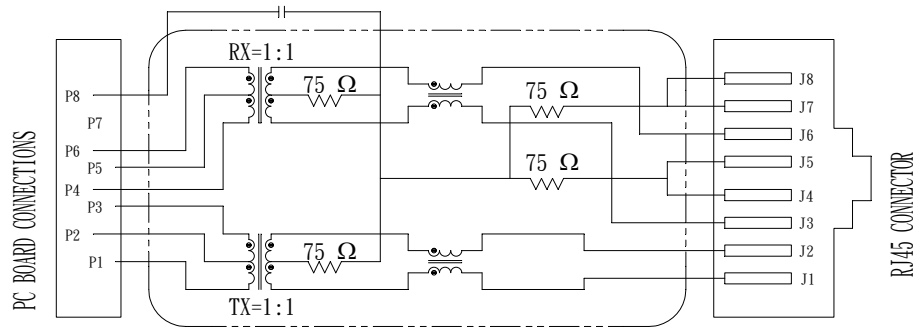


※凡標註  $\triangle$  記號者, 為品管檢驗之尺寸



1000pF (2.0KV)



MATERIALS:

PLASTIC HOUSING: HIGH TEMP. THERMOPLASTIC **KS-02**  
 FLAMMABILITY RATING UL 94V-0.

CONTACTS: PHOSPHOR BRONZE

PLATING: GOLD PLATING OVER NICKEL IN CONTACT.

TIN PLATING OVER NICKEL IN SOLDER AREA.

SHIELD: BRASS PLATING NICKEL ALLOY.

3u" P/N 3070100205

6u" P/N 3070110205

30u" P/N 3070130205

RoHS COMPLIANT

設計 DR. Andy 10-12-20	核准 APPD. Jerry 10-12-20	容許公差 .XXX $\pm$ 0.10 .XX $\pm$ 0.25 .X $\pm$ 0.38 X $\pm$ 0.50 ANG $\pm$ 3°	TOLERANCE	品名 ARTICLE 10/100 BaseT RJ45(KINSUN)
版本說明 REVISION NOTE				圖號 DWG NO. 3070110205
新增30u"料號3070130205,發C版				單位 UNIT mm
				比例 SCALE 2.5/1
				張數 SHEET 1/1
				版本 REV. C