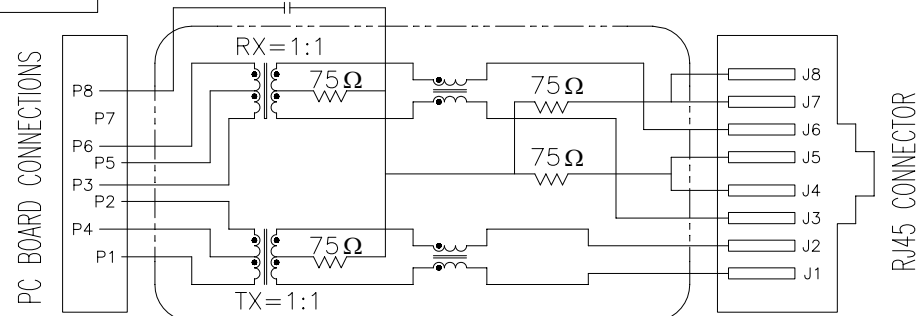


RoHS COMPLIANT

1000pF (2.0KV)



MATERIALS:

- PLASTIC HOUSING: HIGH TEMP. THERMOPLASTIC
- FLAMMABILITY RATING UL 94V-0. **KS-06**
- CONTACTS: PHOSPHOR BRONZE
- PLATING: GOLD PLATING OVER NICKEL IN CONTACT.
- TIN PLATING OVER NICKEL IN SOLDER AREA.
- SHIELD: BRASS PLATING NICKEL ALLOY.

6u" P/N 3070110602
30u" P/N 3070130602

設計 DR. Andy 96-06-22	核准 APPD. Jerry 96-06-22	容許公差 .XXX ±0.10 .XX ±0.25 .X ±0.38 X ±0.50 ANG ±3°	TOLERANCE	品名 ARTICLE 10/100 BaseT RJ45
版本說明 新增6u"米斗別虎,發B版		REVISION NOTE		圖號 DWG NO. 3070130602
				單位 UNIT mm
				比例 SCALE 2.5/1
				張數 SHEET 1/1
				版本 REV. B