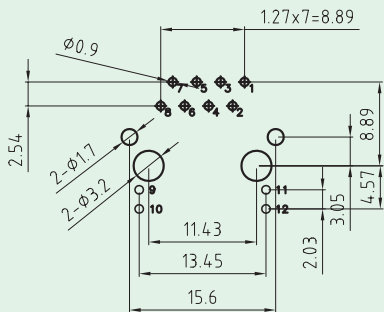
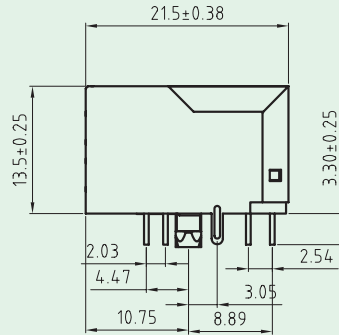
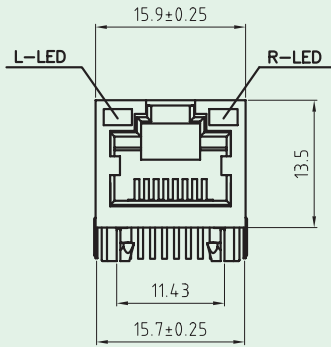


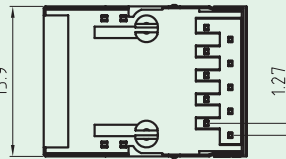


Magnetic PCB Jack Up Latch Giga Base-T (One Port)

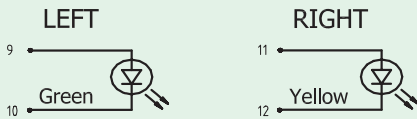
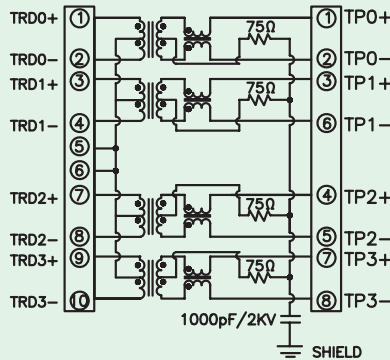
KINSUN



PCB Layout



Code	LED 2	LED 1
0	No LED	No LED
1	Yellow	Green
2	Green	Yellow
3	Green	Green
4	Yellow	Yellow



Materials

- **Shield** : Brass With Nickel Plated.
- **Housing** : Engineering Thermoplastic.
Flammability Rating UL 94V-0.
- **Contacts** : Phosphor Bronze.
- **Plating** : Gold Plating Over Nickel In Contact.
Tin Plating Over Nickel In Solder Area.

Ordering Information

