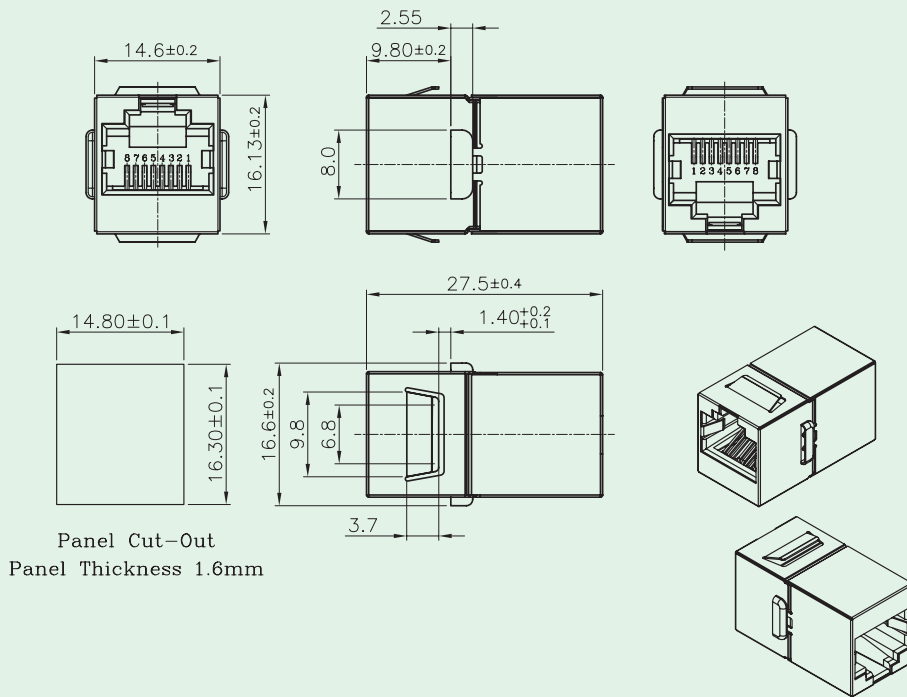
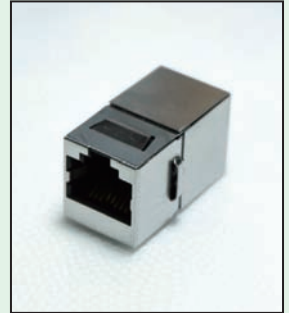




Coupler Jack With Clip (CAT.3 or CAT.5e or CAT.6a)

KINSUN



Materials

- **Shield** : Stainless Steel.
- **Housing** : Engineering Thermoplastic.
Flammability Rating UL 94V-0.
- **Contacts** : Phosphor Bronze.
- **Plating** : Gold Plating Over Nickel In Contact.

Ordering Information

