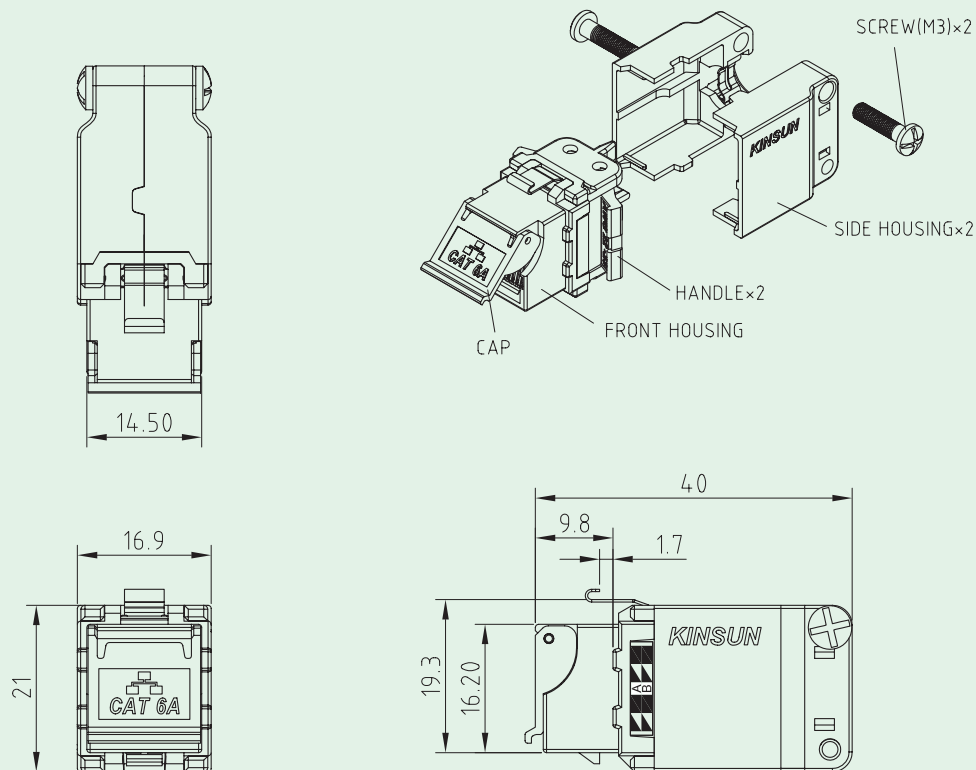




Keystone Jack (CAT.6a Tool-Free Type)

KINSUN



Materials

- **Housing** : Zinc Die-Casting With Nickel Plated.
- **Handle** : Engineering Plastics.
- **Contacts** : 0.30mm Thickness Phosphor Bronze.
- **Plating** : Gold Plating Over Nickel In Contact Area.

Ordering Information

3202 Series