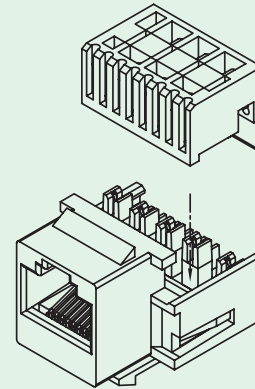
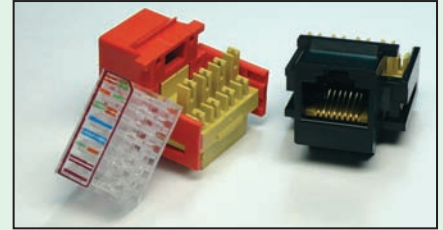
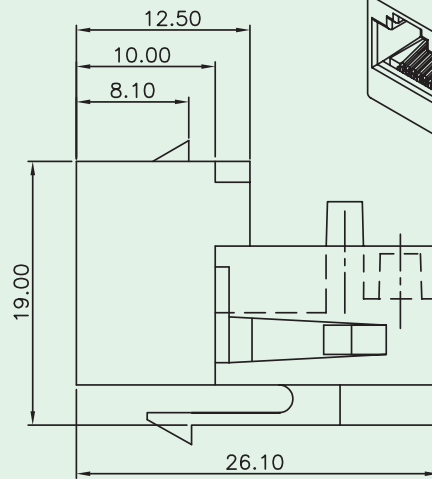
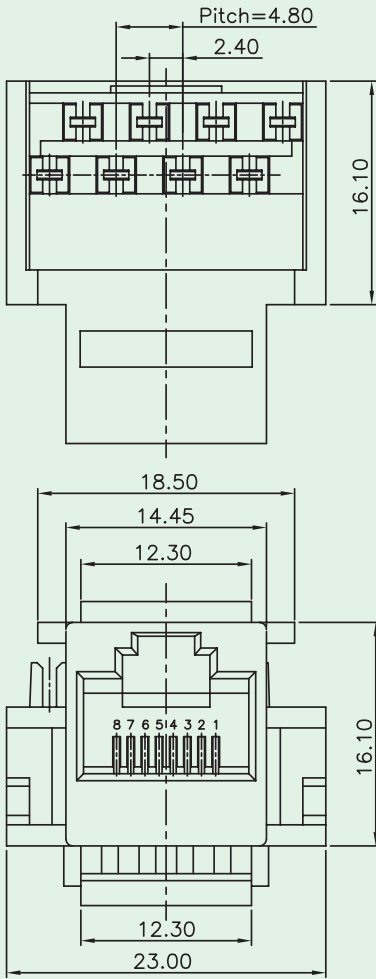




Keystone Jack (Through Hole Type Cover)

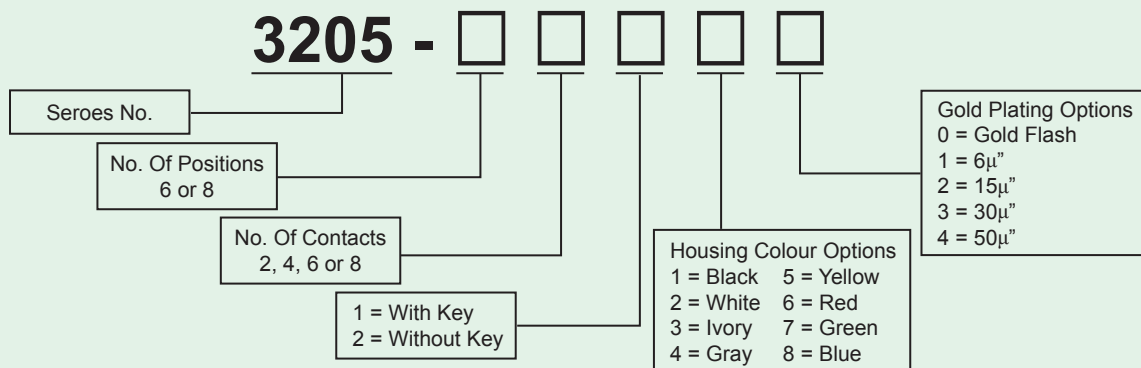
KINSUN



Materials

- **Housing** : Engineering Thermoplastic.
Flammability Rating UL 94V-0.
- **Contacts** : 0.40mm Thickness Phosphor Bronze.
- **Plating** : Gold Plating Over Nickel In Contact Area.

Ordering Information



(Taiwan Patent)