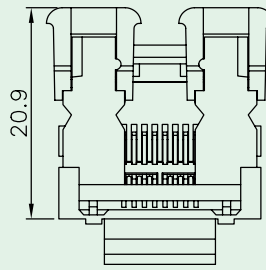
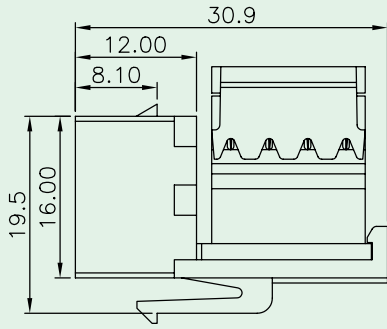
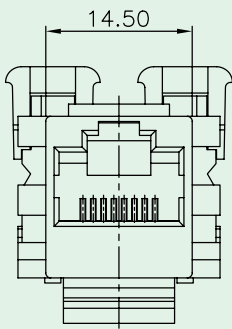
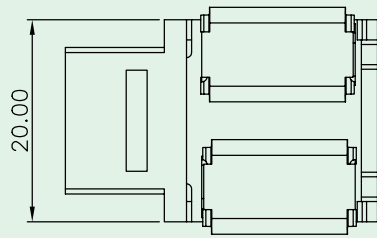
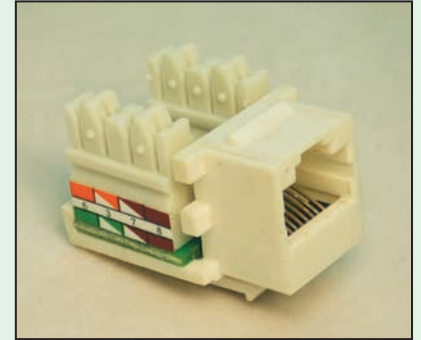
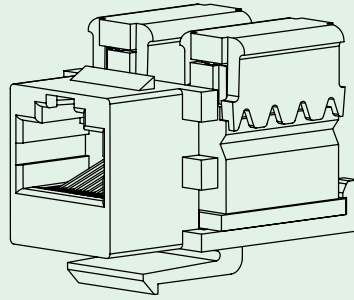




CAT.5e Keystone Jack

KINSUN



Materials

- **Housing** : Engineering Thermoplastic.
Flammability Rating UL 94V-0.
- **Contacts** : Phosphor Bronze.
- **Plating** : Gold Plating Over Nickel In Contact Area.
- **Shielded** : Brass With Nickel Plated.

Ordering Information

