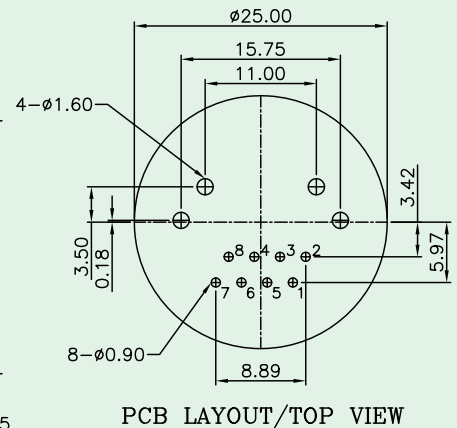
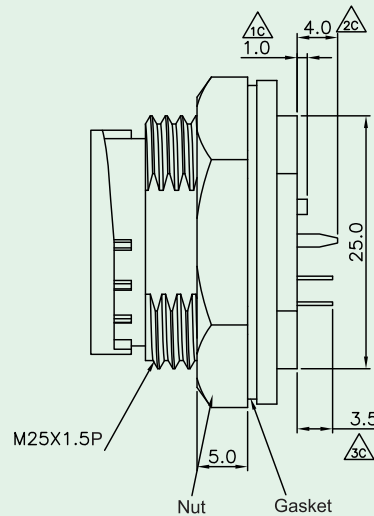
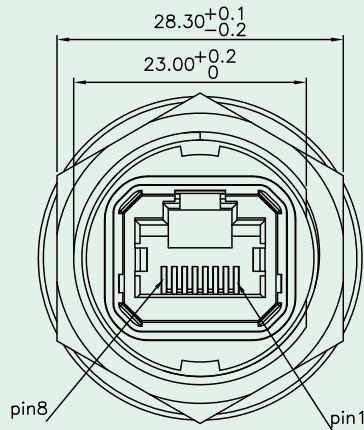
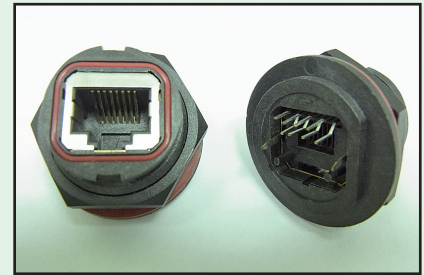


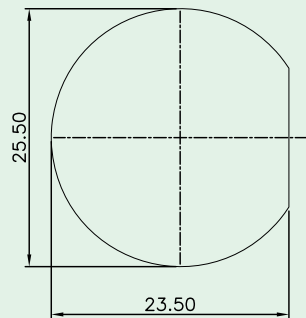
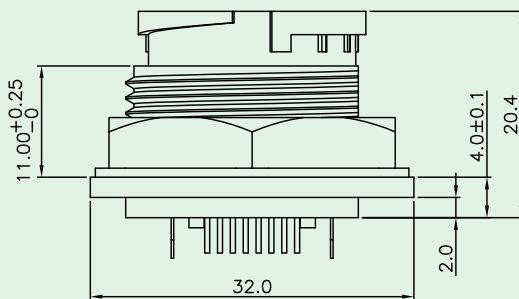


Waterproof Cat. 5e RJ45 Jack (IP68)

KINSUN



PCB LAYOUT/TOP VIEW



Panel Cut-Out

Materials

- **Plastic Housing** : High Temp. Thermoplastic.
Flammability Rating UL 94V-0.
- **Contacts** : Phosphor Bronze.
- **Plating** : Gold Plating Over Nickel In Contact.
Tin Plating Over Nickel In Solder Area.
- **Shielded** : Brass With Nickel Plated
- **Nut** : Engineering Thermoplastic Flammability Rating UL 94V-0
- **Gasket** : Silicone
- **Panel Thick** : 2.0~4.0mm



Ordering Information

3351D00030