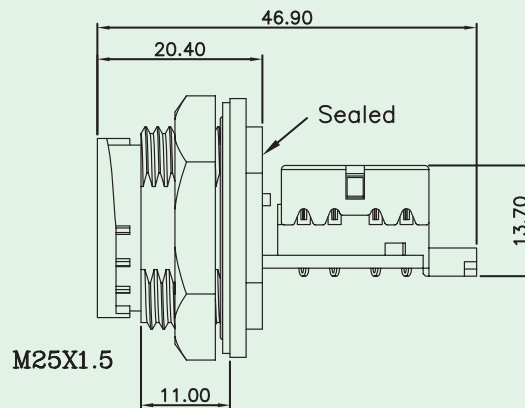
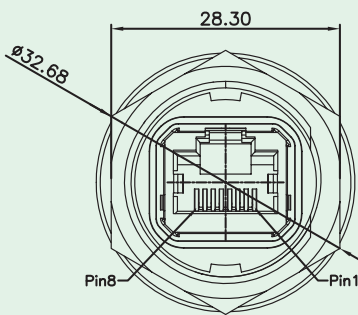
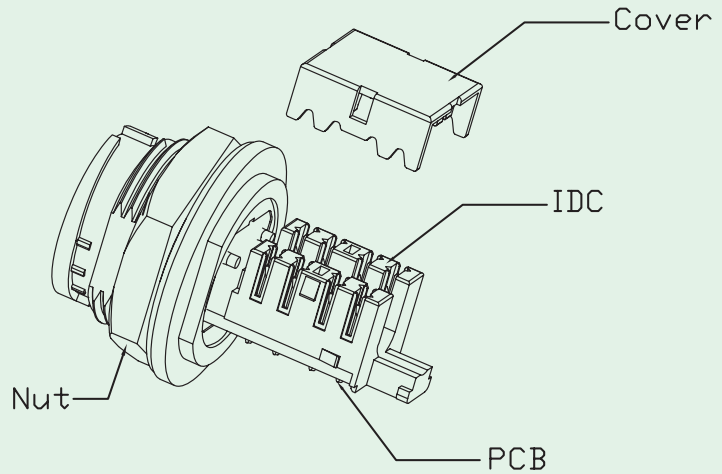
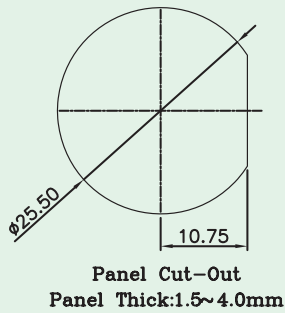




Waterproof RJ45 With IDC (IP68)

KINSUN



Materials

- **Plastic Housing** : Engineering Thermoplastic.
Flammability Rating UL 94V-0.
- **Contacts** : Phosphor Bronze.
- **Contacts Plating** : Gold Plating Over Nickel In Contact.
- **IDC Pin** : Brass
- **IDC Pin Plating** : Tin Plating Over Nickel
- **Gasket** : Silicon
- **Panel Thick** : 1.5~4.0mm



Ordering Information

3351F00030