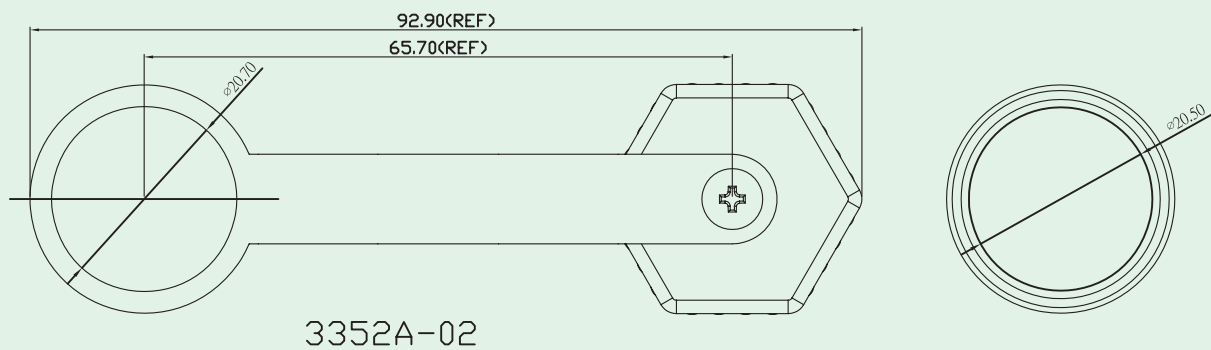
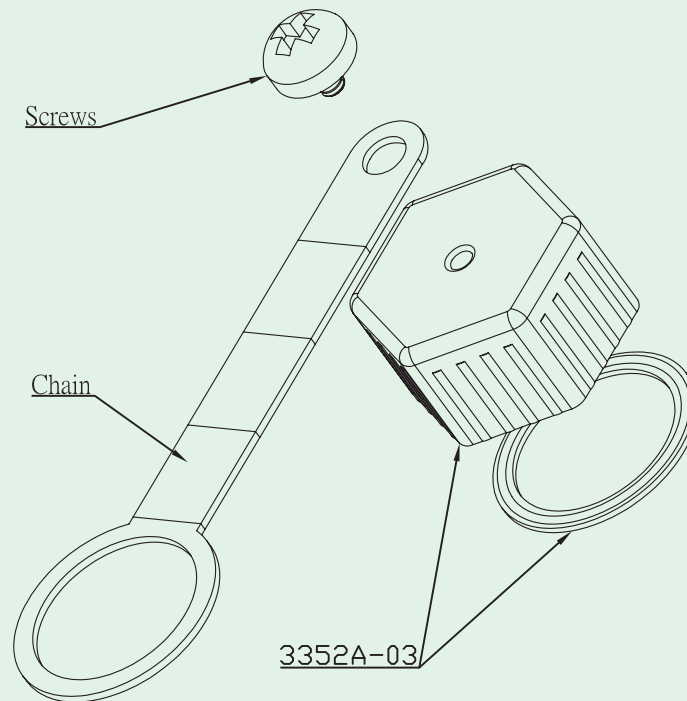




Waterproof Cap (IP68)

KINSUN



Materials

- **Cap** : Engineering Thermoplastic
Flammability Rating UL 94V-0.
- **Chain** : Silicone.
- **Screws** : Stainless Steel.
- **Gasket** : Silicone.



Ordering Information

3352A-02 : Cap with Chain
3352A-03 : Cap and Gasket only