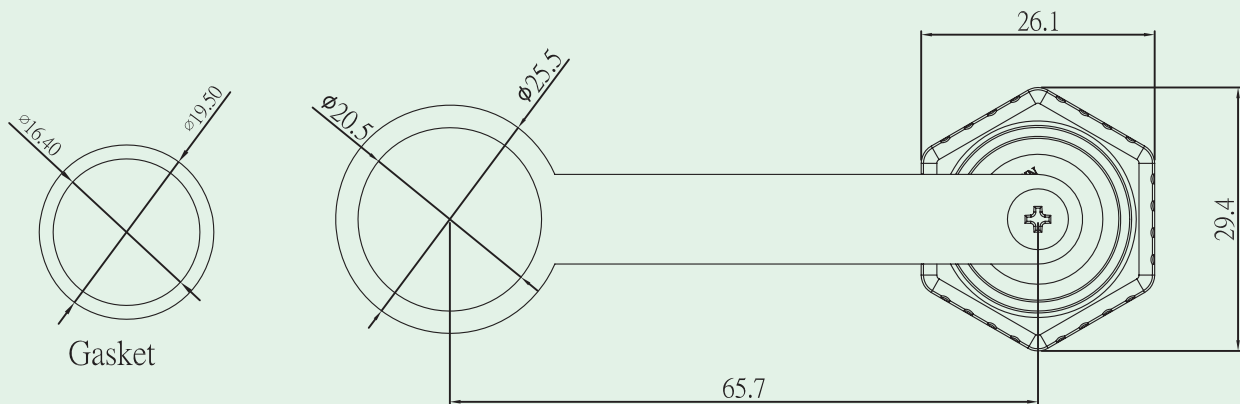
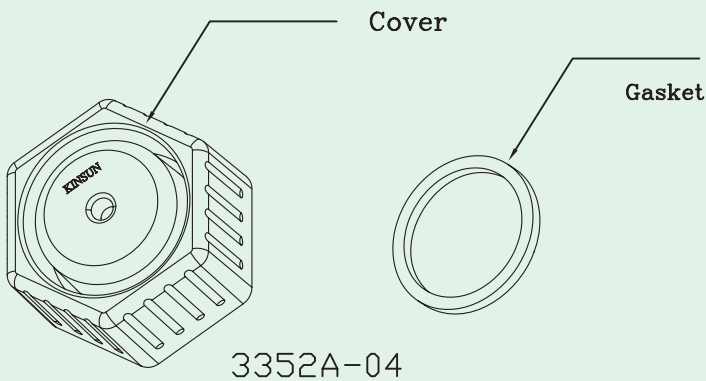
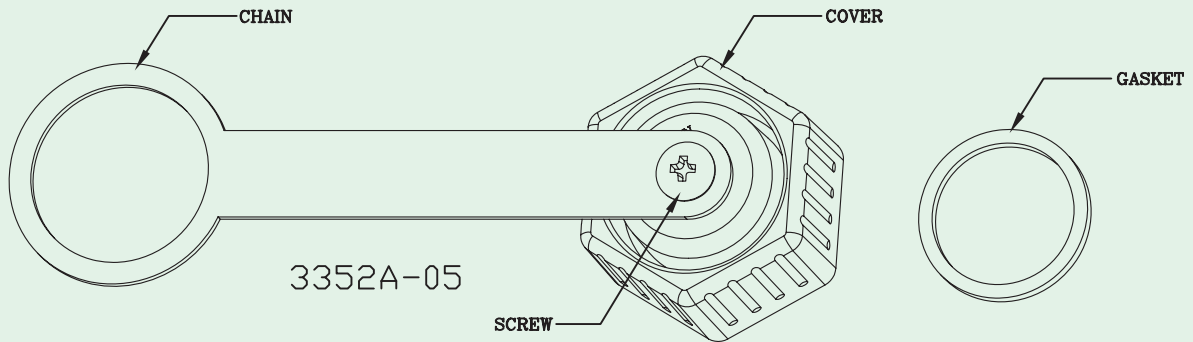




Waterproof Cap II (IP68)

KINSUN



Materials

- **Cap** : Engineering Thermoplastic
Flammability Rating UL 94V-0.
- **Chain** : Silicon
- **Screws** : Stainless Steel.
- **Gasket** : Silicon



Ordering Information

3352A-04 : Cap and Gasket only
3352A-05 : Cap with Chain