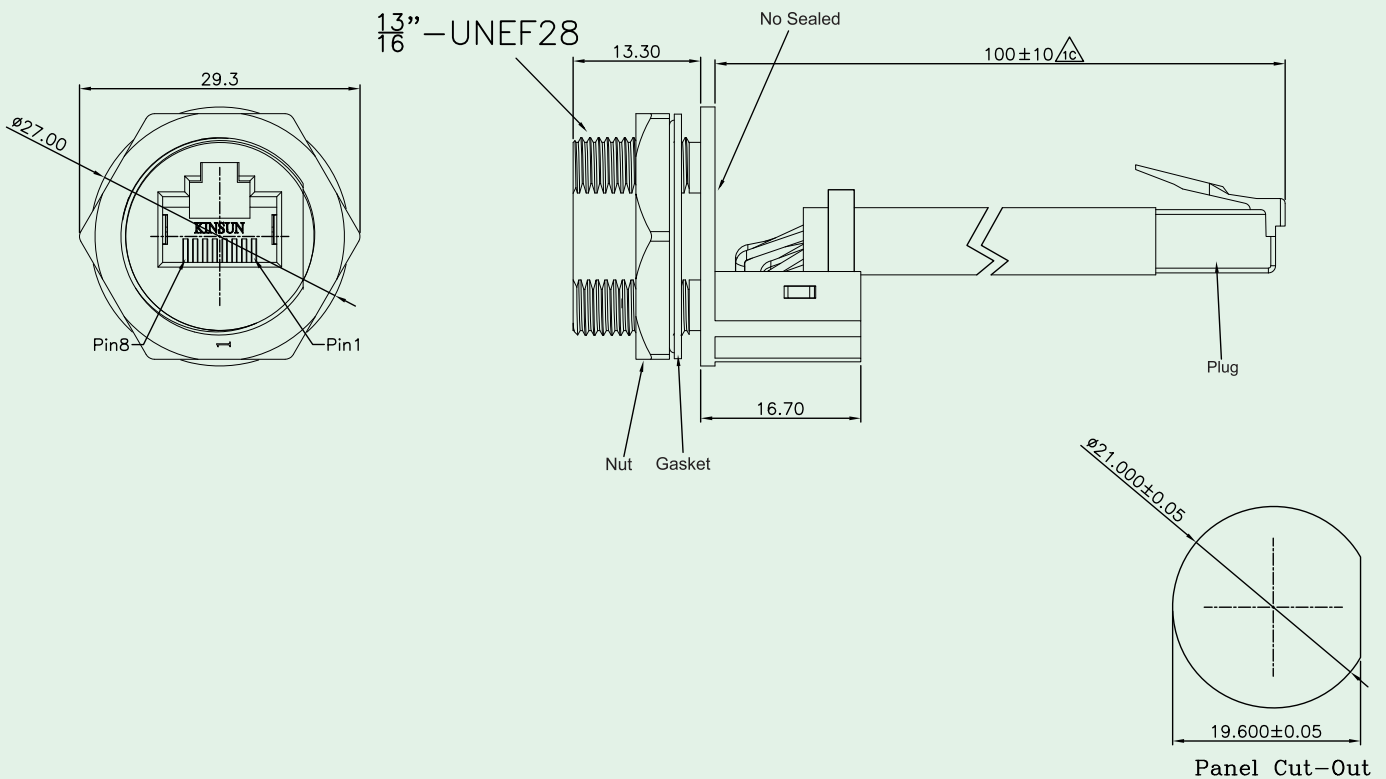
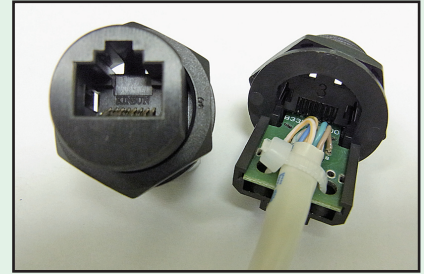




Waterproof RJ45 Jack With Cable and Plug (IP68)

KINSUN



Materials

- **Plastic Housing** : Engineering Thermoplastic. Flammability Rating UL 94V-0.
- **Contacts** : Phosphor Bronze.
- **Plating** : Gold Plating Over Nickel In Contact.
- **Nut** : Engineering Thermoplastic Flammability Rating UL 94V-0
- **Gasket** : Silicone
- **Panel Thick** : 1.5~2.5mm
- **RJ45 Plug Housing** : PC
- **RJ45 Plug Contacts** : Phosphor Bronze, finish : Gold over Nickel
- **Cable** : Cat 5e



Ordering Information

3352D01110