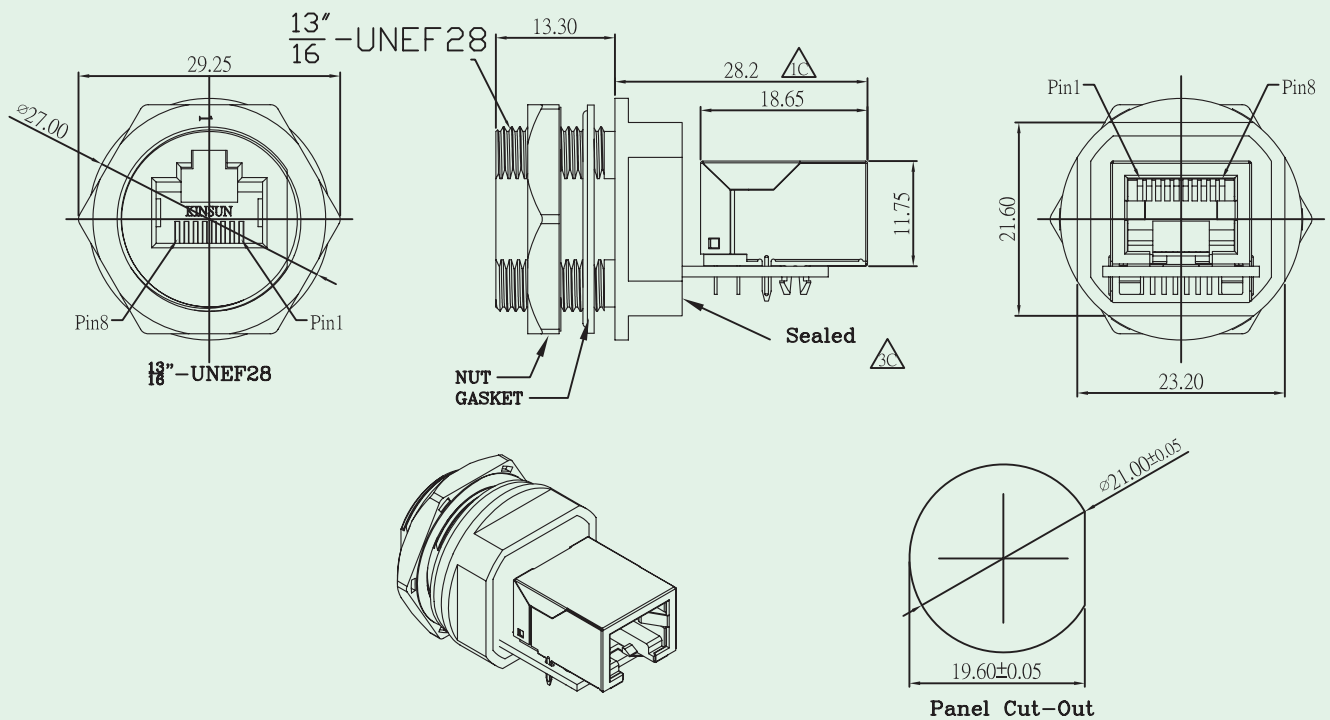




Waterproof RJ45 Sealed Coupler (IP68)

KINSUN



Materials

- **Plastic Housing** : Engineering Thermoplastic.
Flammability Rating UL 94V-0.
- **Contacts** : Phosphor Bronze.
- **Plating** : Gold Plating Over Nickel In Contact.
- **Nut** : Engineering Thermoplastic Flammability Rating UL 94V-0
- **Gasket** : Silicon
- **Panel Thick** : 1.5~2.5mm



Ordering Information

3352F01020