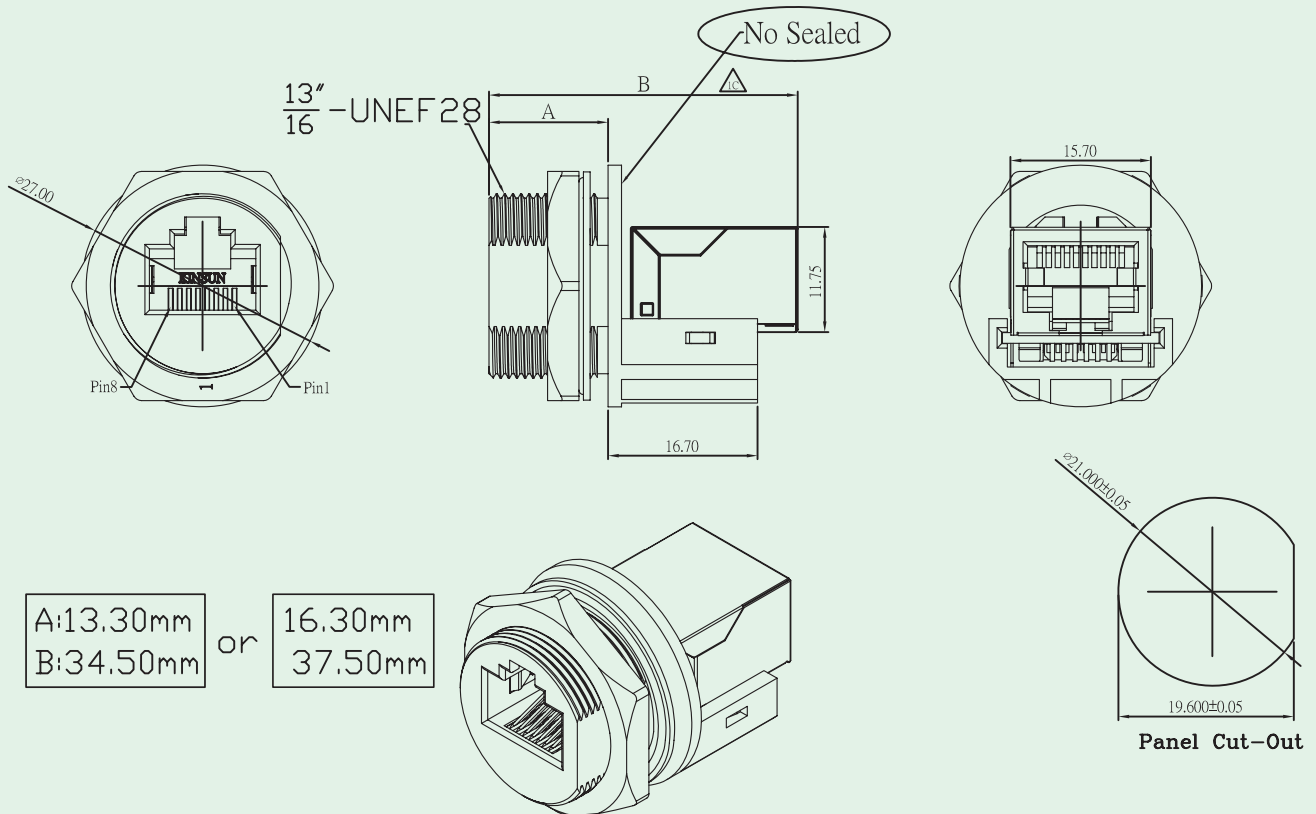
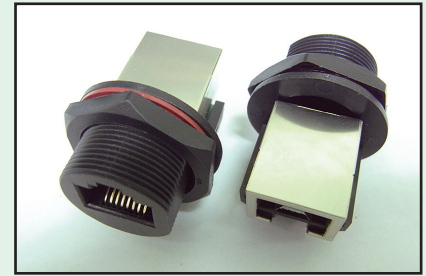




Waterproof RJ45 Coupler (IP68)

KINSUN



Materials

- **Plastic Housing** : Engineering Thermoplastic.
Flammability Rating UL 94V-0.
- **Contacts** : Phosphor Bronze.
- **Plating** : Gold Plating Over Nickel In Contact.
- **Nut** : Engineering Thermoplastic Flammability Rating UL 94V-0
- **Gasket** : Silicone
- **Panel Thick** : A=13.30mm Panel Thick=1.5~2.5mm ; A=16.30mm Panel Thick=1.5~6.0mm



Ordering Information

3352F01010 A:13.30mm
3352F05010 A:16.30mm